

INSTRUCTIONS

ENVIRO

4686345

Instruction Manual
Recovery Station

Bedienungsanleitung
Absauggerät

Mode d'emploi
Station de récupération

Istruzioni per l'uso
Unità di recupero

Manual de instrucciones
Estación de recuperación

HVAC/R
Service Products



OPERATING INSTRUCTIONS

ENVIRO

Table of Contents

1. General Information.....	1
2. Safety.....	3
2.1 Personnel Qualifications.....	3
2.2 Special Hazards.....	4
2.3 Labels / Safety Markings.....	7
3. Technical Specifications.....	8
4. Parts Description.....	9
5. Instruction of Operation Panel.....	10
6. Electrical Diagram.....	11
7. Operation.....	12
8. Recovery Method.....	14
9. Self-Purge Method.....	16
10. Liquid Push / Pull Mode.....	17
11. FAQ and Trouble Shooting.....	20
12. Maintenance.....	22
13. Service.....	23
14. Recycling.....	23


1. General Information

Thank you for purchasing the ENVIRO Refrigerant Recovery Machine!

ENVIRO combines an innovative refrigerant gas compression system with a rugged, moulded case that is designed to offer maximum protection from damage during transit and normal handling.

With normal use and with care as prescribed in this Manual, your ENVIRO will give you years of trouble-free operation.

Safety First!

 When found on the machine, this international symbol is intended to alert the user to the presence of important operating, safety and maintenance (servicing) instructions in this Manual. As used in the Manual, it is intended to draw your attention to critical items.

It is important to read this entire Manual and be familiar with its contents before using the machine!

The ENVIRO is a Recovery Machine for a broad range of refrigerants. Recovering refrigerants into a separate storage cylinder involves a process of gas compression, resulting in high pressures within the machine, the connecting hoses and the storage cylinder. High-pressure systems must always be treated with care and respect to prevent careless accidents.

Product Safety:

The ENVIRO has been designed to meet the requirements of the Standard for Refrigerant Recovery Machines, **ARI** and **CE** certification.

If an approved cylinder with overfill is not available always use an approved scale to monitor the cylinders capacity. Additionally, approved refrigerant hoses must be used which have shut-off devices within 300mm of the ends to reduce the likelihood of refrigerant leakage to the atmosphere when changing cylinders or setups.

Responsibility:

Only a qualified technician who has been properly trained in the care and use of such equipment and in the recovery process itself must only operate the ENVIRO.

- The operating instructions are part of the product and must be stored in close proximity to the ENVIRO where they should be readily accessible to qualified personnel at all times.
- The qualified personnel must have carefully read and understood the operating instructions prior to operating the device.
- The manufacturer shall not be liable for any damage whatsoever arising through improper use, failure to comply with these operating instructions, assignment of inadequately qualified personnel, or unauthorised modification of the ENVIRO.
- The General Terms and Conditions as set out in the sales documentation shall apply.
- Subject to technical modifications.

Key to symbols



WARNING!

... indicates a potentially hazardous situation that could result in serious injury or death if not avoided.



DANGER!

... indicates electrical hazard. Failure to comply with these safety instructions may result in serious injury or death.

2. Safety



WARNING!

Before setup and operation of the device, ensure that it is not damaged in any way. Failure to comply could result in serious physical injury and/or material damage.



DANGER!

Risk of death by electrocution.

2.1 Personnel Qualifications



WARNING!

Risk of injury through use by unqualified personnel! Improper handling of the device can lead to serious personal and material damage.

- The activities described in these operating instructions should only be carried out by skilled personnel in possession of the qualifications outlined below.
- Keep unqualified personnel away from hazardous areas.

Skilled personnel

Skilled personnel are workers who, through their specialist training and operational knowledge of the recovery machine, are capable of carrying out the described work and independently identifying potential hazards.

ONLY QUALIFIED SERVICE PERSONNEL SHOULD OPERATE THIS UNIT. MOST STATES AND COUNTRIES, MAY REQUIRE THE USER TO BE LICENSED. PLEASE CHECK WITH YOUR LOCAL GOVERNMENT AGENCY.

2.2 Special Hazards



Before starting the Equipment assure that it is well grounded.

Risk of serious injury and death!



While using the electrical wire, the wire must be well connected and grounded.

Risk of serious injury and death!



Only a qualified electrician should perform wire connection according to the technical standard and circuit diagram.

Risk of serious injury and death!



Be sure the power is off before examining or repairing the recovery unit. Risk of serious injury and death!



Use only authorized refillable refrigerant tanks. The Unit requires the use of recovery tanks with a minimum working pressure of 40 bar (580psi). Do not overfill the recovery tank. Tank is full at 80% capacity. There should be enough space for liquid expansion.

Overfilling of the tank may cause a violent explosion.



A Charging scale is required to prevent overfilling.



It is compulsory to wear safety goggles, and protective gloves while working with refrigerants to protect skin and eyes from refrigerant gas and liquid. Avoid any contact with caustic gas or liquid. Risk of serious injury!



Be sure that any room where work is being conducted is thoroughly ventilated.



When using an extension cord, the cord should be a minimum of 1.5 mm²(15 awg) and no longer than 7.5 m. Otherwise Voltage may drop and damage the compressor! The cable must be completely unrolled.



Input pressure of the unit should not exceed 26 bar (377 psi).



Keep unit in a horizontal position only, otherwise unexpected vibrations, noise or abrasions may occur.



Avoid exposing the equipment to the sun or rain.



USE CAUTION WHEN OPERATION OUTDOORS. Be certain that the power cord, the overfill cylinder safety cord and the unit itself are not placed in water or other potentially dangerous locations. While the ENVIRO is very safe to operate, using in environments such as hard rain or sand dust storms must be avoided.



FLAMMABLE ENVIRONMENTS ARE DANGEROUS when any machine is used because motors and switches can generate sparks. This equipment should be used in locations with mechanical ventilation providing at least four air changes per hour, or the equipment should be located at least 50cm above the floor.

DO NOT USE THIS EQUIPMENT IN THE VICINITY OF SPILLED OR OPEN CONTAINERS OF GASOLINE OR ANY OTHER FLAMMABLE LIQUID.



Do not block the ventilation opening of the unit.



If the overload protector pops, reposition it after 5 minutes.

2.3 Labels / Safety Markings

Identification plate

⚠ SAFETY INSTRUCTIONS

- This unit should be operated only by qualified operators!
- Read all safety, operating guidelines and instructions carefully before starting the unit.
- Always operate the unit with safety goggles and protective gloves.
- Only a refillable recovery tank with a minimum working pressure of 45 bar should be used. In case of 80% O.F.P, a scale must be used to avoid overfilling the recovery tank.

- This equipment should be used in locations with mechanical ventilation providing at least 4 air changes per hour or the equipment should be located at least 50cm above the floor.
- Do not use this equipment in the vicinity of spilled or open containers of gasoline.
- Use a 3-wire extension cord with a minimum cross-section of 1.5mm² and a length of no more than 7.5m, ensure reliable grounding.
- The inlet pressure must not exceed 26 bar.



REFCO Manufacturing Ltd.
Industriestrasse 11
6285 Hitzkirch - Switzerland

Model: ENVIRO
Item No.: 4686345
Spec.: 230V, 50/60Hz, 0.55kW

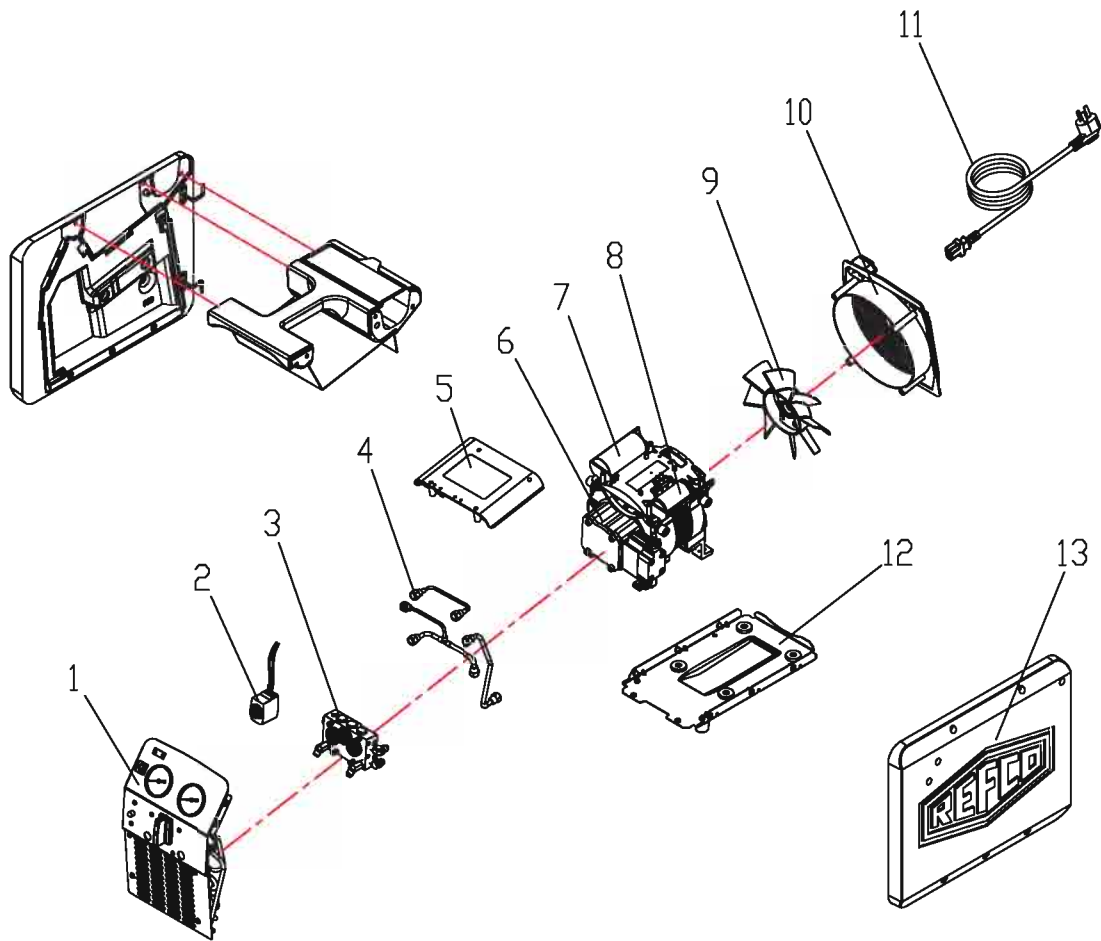
Serial No.: _____




3. Technical Specifications

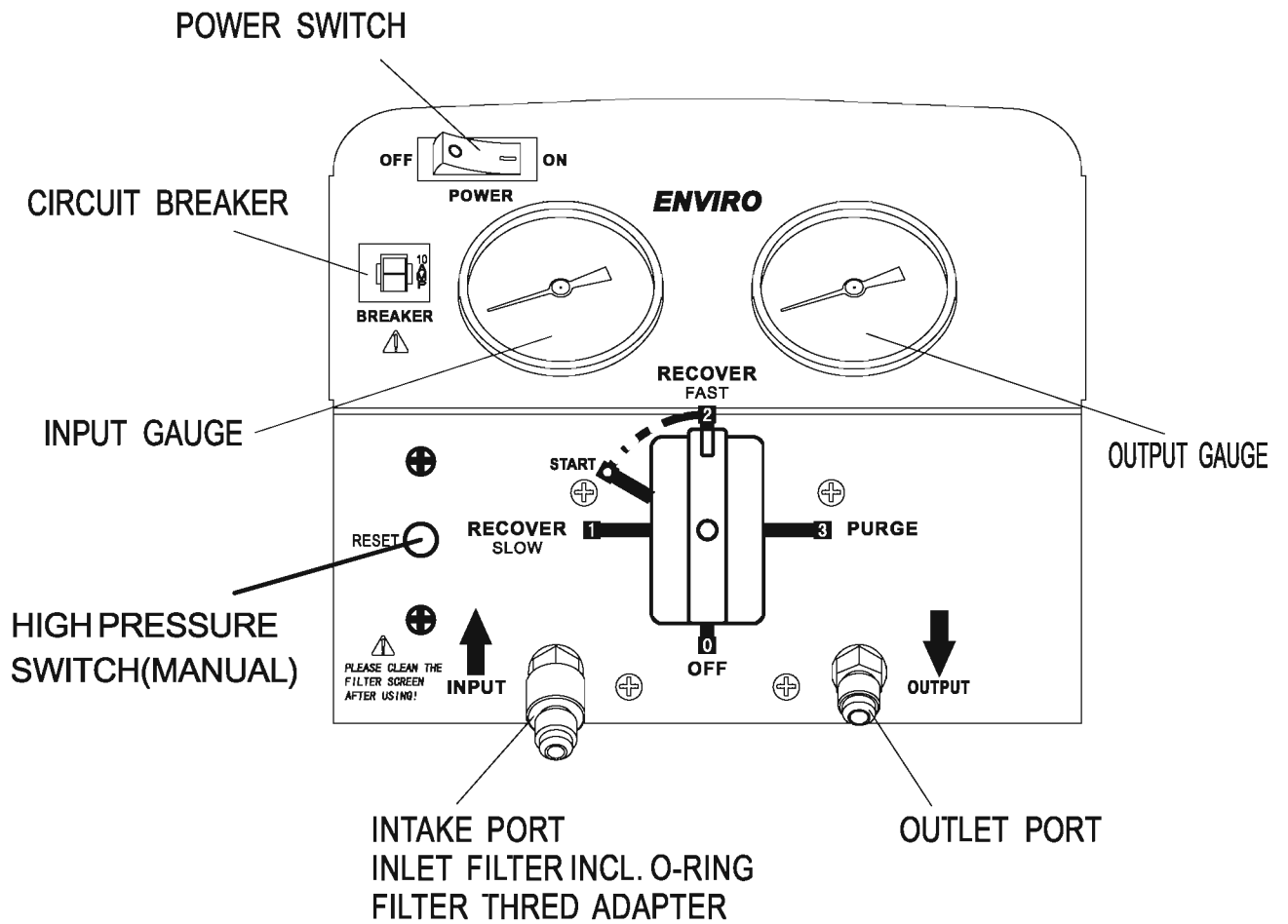
Refrigerant			
Category III	R-12, R-134a, R-401C, R-406A, R-500		
Category IV	R-22, R-401A, R-401B, R-402B, R-407C, R-407D, R-408A, R-409A, R-411A, R-411B, R-412A, R-502, R-509		
Category V	R-402A, R-404A, R-407A, R-407B, R-410A, R-507		
Power	220-240V CA 50-60 Hz		
Motor	0.55 kW		
Motor Speed	1450rpm@50Hz		
Current	5A@50Hz		
Compressor	Oil-less, Air-cool, Piston		
High Pressure Protection	38.5bar/3850kPa (558psi)		
Recovery Speed	Category III	Category IV	Category V
Gas	0.30 Kg/min	0.38 Kg/min	0.50 Kg/min
Liquid	2.00 Kg/min	2.20 Kg/min	2.30 Kg/min
Push/Pull Mode	4.60 Kg/min	5.60 Kg/min	6.30 Kg/min
Ambient Temperature	0°C-40°C/32-104°F		
Dimensions	400mm(L)×250(W)mm×345mm(H)		
Net Weight	14.5kg		

4. Parts Description

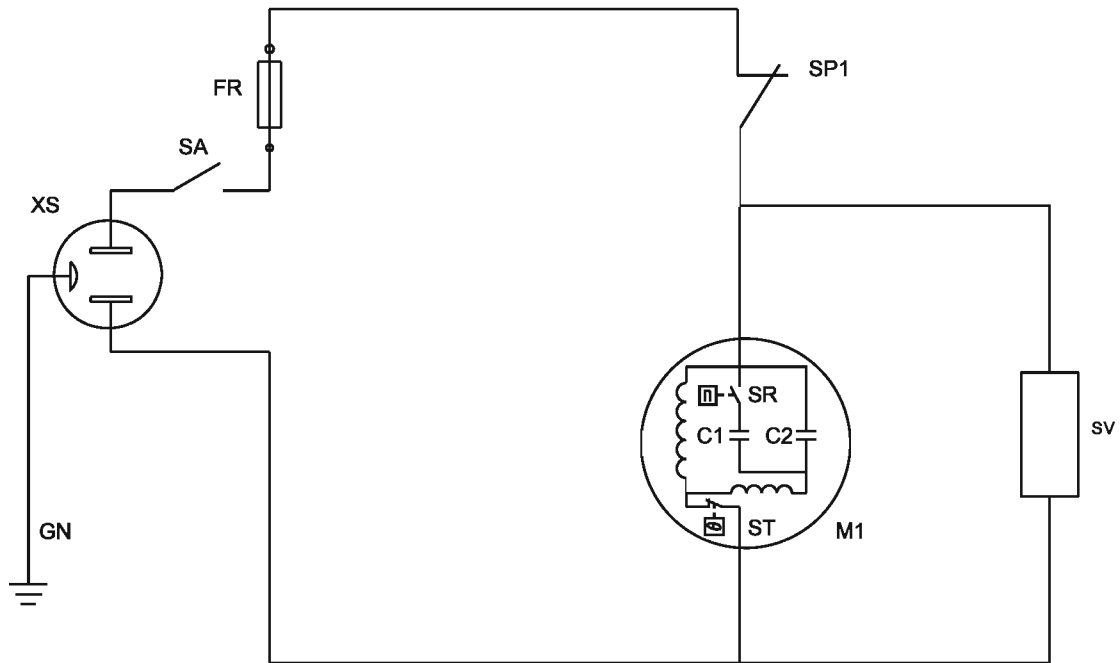


No.	Component	No.	Component
1	Front Panel	8	Starting Capacitor
2	Solenoid Valve	9	Fan
3	Control Valve	10	Fan Cover
4	Copper Pipes	11	Power Supply Cord
5	Junction Box Cover	12	Base
6	Compressor	13	Cover
7	Running Capacitor		

5. Instruction of Operation Panel



6. Electrical Diagram



ITEM	Graphics Code	Description	Remarks
1	XS	Power Outlet	
2	SA	Power Switches	
3	FR	Overload Protection Device	
4	SP1	High Pressure Switchgear	
5	M1	Compressor Motor	
6	SV	Solenoid Valve	

7. Operation

1. Do not mix different refrigerants together in one tank, or they cannot be separated or used.
2. The switch should be at "Position 0" before operation. All the valves must be closed, the input and output fittings should be covered with protective caps when the unit is not in operation. The air moisture is harmful to the recovery result and will shorten the life span of the unit.
3. A filter drier should always be used and should be replaced frequently. And each type of refrigerant must have its own filter. For the sake of ensuring the normal operation of the unit, please use the filter specified by our company. High quality filter drier will bring high quality services.
4. Special caution is needed when recovering from burnt system, and two dry filters are needed.
5. The unit has an Internal High Pressure Shut-Off Switch. If the pressure inside the system is above 38.5 bar, compressor will automatically shut off the power. To restart the compressor, please lower the internal pressure and hit the High Pressure button, then turn.

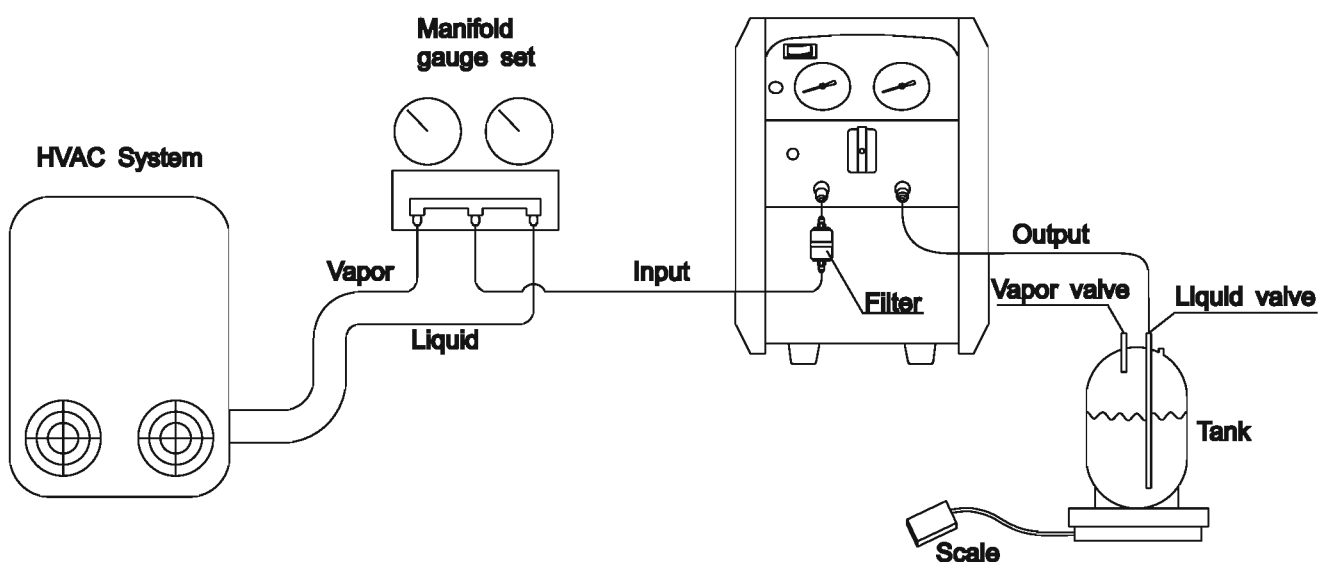
When High Pressure Protection is initiated, please find out the cause and deal with it before restarting the unit.
Cause of High Pressure Protection and Trouble Shooting:

- a. The input value of the refrigerant tank is closed — open the valve to solve the problem.
 - b. The connecting hose between the recovery unit and refrigerant tank is stuck — close all the valves and replace the connecting hose.
 - c. The temperature of the refrigerant tank is too high, pressures is too high — give it some time to cool down and the pressure will come back to normal.
6. An electric scale needs to be used together with the recovery unit to monitor the recover process.
 7. In order to gain maximum recovery speed, a hose with inner diameter bigger than 4mm is recommended and the hose should be shorter than 1.5m.
 8. While recovering large amounts of liquid, use the Push/Pull Mode.
 9. After recovering, make sure there is no refrigerant left in the unit. Read the Purge Operation carefully. Liquid refrigerant remaining in the unit may be expanded and damage the components.
 10. If the unit is to be stored or not used for any length of time, we recommend that it be completely evacuated of any residual refrigerant and purged with dry nitrogen.
 11. Connection hose with check valve is recommended, it can prevent refrigerant loss.
 12. The intake port is equipped with filter screen; please wash it frequently to keep it clean.

13. If it is difficult to start the unit, please turn the Switch two rounds to balance the internal pressure and make it easier to start the unit.
14. The Low Pressure Gauge shows the pressure of the intake port of the compressor and the High Pressure Gauge shows the pressure of the outlet port.
15. After Using, please turn the knob to "0" position.

8. Recovery Method

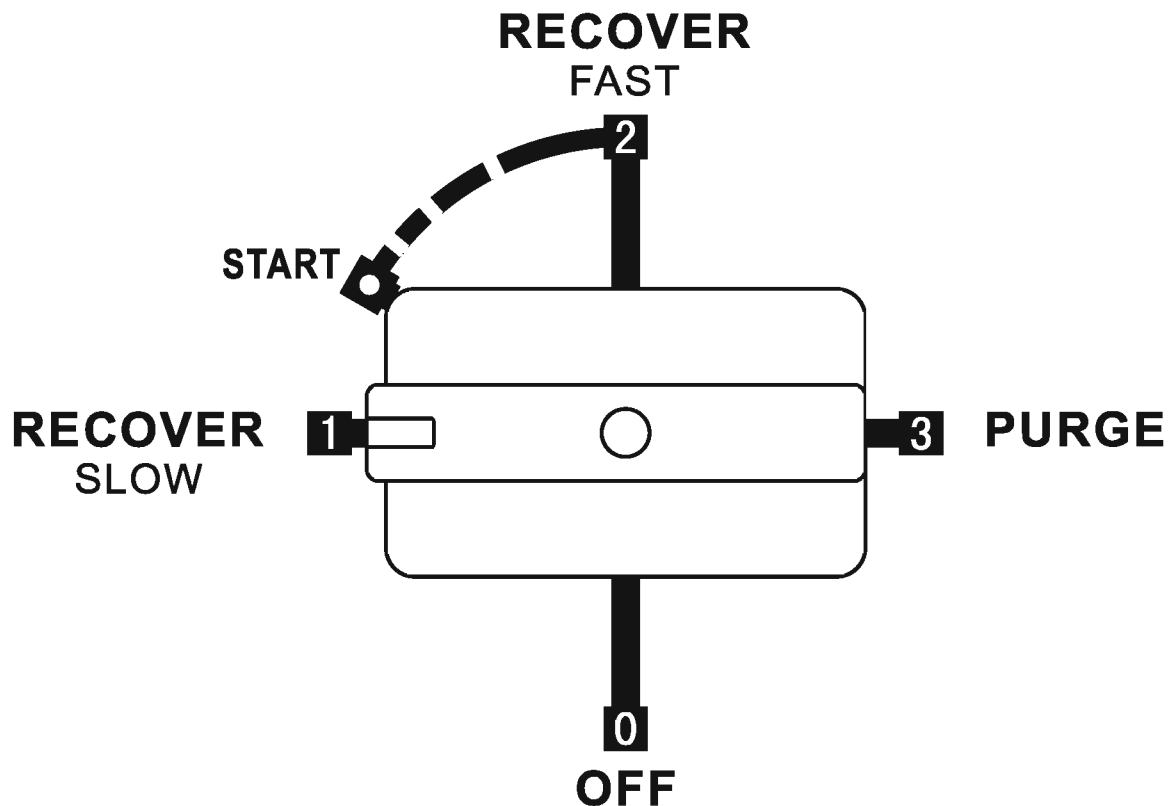
1. Turn the Switch to position "1".
2. Correctly and firmly connect the hoses.
(See Connection Drawing)
3. Connect the unit to the right power supply (as shown on the Name Plate), turn the power on to start the unit.
4. Open the valve of the refrigerant tank.



5. Open the liquid valve on the manifold gauge.
6. Slowly turn the Switch to position "2" for faster recovery.

Notice:

- a. If liquid impacting occurs in the compressor when at position "2", please turn the knob to position "start" slowly. The reading of low pressure gauge will decrease until the impacting stops, but the pressure should be above "0", because the intake port cannot intake when the pressure is "0".
If it is difficult to start or restart after power off, please turn the knob to position "START", then turn on the power and hit the RESET button.
 - b. If the knob is turned to position "1" and the unit is running, a stable recovery of liquid refrigerant can occur, in the compressor when at position "1", slowly turn the knob clockwise to position "start". The reading of low pressure gauge will decrease until the impacting stops. The pressure should be above "0", because it cannot intake if the pressure is "0".
7. When liquid recovery is finished, turn the Switch to position "2" for faster recovery.
 8. After the low pressure gauge shows zero, start the purge operation.



9. Self-Purge Method

1. No need to turn off the power; turn the Switch to position "3" to start purging.
2. Purging ends when the required vacuum is reached.
 - a. Close the valve on the refrigerant tank.
 - b. Close the check valves on the connecting hoses.
 - c. Close the liquid valve and gas valve on the manifold gauge.
 - d. Close the connecting valve between the refrigeration system and the manifold valve.
 - e. Turn the power off, and disconnect all the external hoses.
 - f. Cap the intake port and the outlet port.

WARNING!

After each use the unit must be purged, to make sure there is no refrigerant left in the unit. Remaining liquid refrigerant may expand and damage the components.

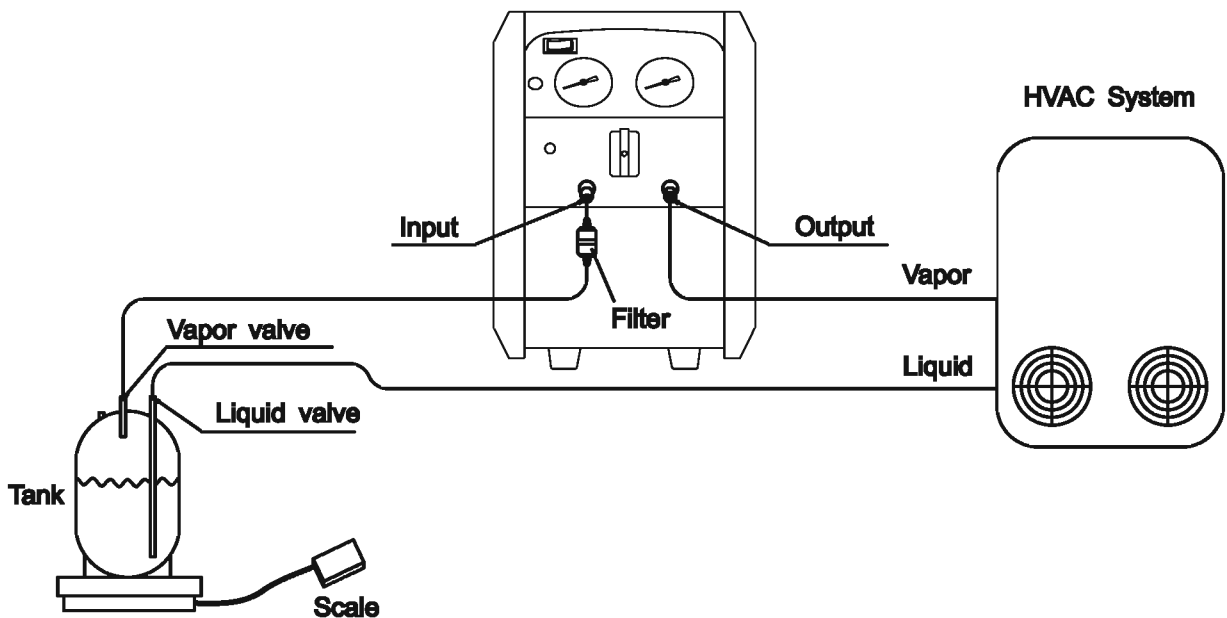
10. Liquid Push / Pull Mode

1. Turn the Switch to position "1".
2. Correctly and firmly connect the hoses (See Connection Diagram).
3. Turn the power on to start the unit.

When recovering more than 10 kgs of liquid refrigerant, Push/Pull is recommended.

WARNING!

An electric scale needs to be used together with the recovery unit to monitor the recover process. Once the siphon is started, it can overflow the recovery tank. The siphon can continue even if the machine is turned off. You must manually close the valves on the tank and the unit to prevent overfilling.



4. Open the gas valve and liquid valve of the refrigerant tank.
5. Turn the Switch to position "2" to start Push/Pull Mode operation recovery.
6. When the showing of electric scale is not changing or changing very slowly, it means that the liquid recovery is finished, and it's time for gas recovery. (The hoses need to be re-connected and please follow the Purge Operation to purge the gas refrigerant.)
7. Close the gas valve on the refrigerant tank and then turn the power off.
8. Close all the valves and disconnect all the external hoses. Connect the hoses according to the Recovery Operation to do the gas refrigerant recovery.
9. PURGE

**WARNING!**

When the reading on the electric scale shows that the refrigerant in the tank reaches 80% capacity, please turn the power off and close the valves on the tank.

11. FAQ and Trouble Shooting

Fault	Cause	Solution
Fan is not revolving	Mechanical damage	<ol style="list-style-type: none"> 1. Replace the fan 2. Factory service is needed
Compressor doesn't work	<ol style="list-style-type: none"> 1. Shut off by High Pressure 2. Internal line fault of the unit 	<ol style="list-style-type: none"> 1. Lower the pressure of the unit-Press High-pressure Button to reset 2. Professional examination is required-Factory service is needed
Compressor can't start (blocked)	<ol style="list-style-type: none"> 1. External pressure is too high 2. Motor failure or other component damage 	<ol style="list-style-type: none"> 1. Turn the knob around twice and turn to position "1", then restart. 2. Factory service is needed
Compressor starts but stops within a few minutes	<ol style="list-style-type: none"> 1. High Pressure Protection caused by mis-operation shuts the unit off, if: Outlet valve closed, refrigerant tank valve closed 2. Motor Overload Protection shuts the motor off 	<ol style="list-style-type: none"> 1. Read carefully the Operation Manual and follow the instructions while operating 2. Give the motor some time to restart

Fault	Cause	Solution
Compressor starts but stops within a few minutes	3. Circuit breaker shut off	3. Cool the circuit breaker down and restart after 5 minutes
Low recovery speed	1. The pressure of the refrigerant tank is too high 2. Piston ring on the compressor is damaged	1. Cooling the tank down can help to bring down the pressure 2. Factory service is needed
Not enough vacuum	1. Hose connection loosened 2. Leakage of the unit	1. Tighten the connecting hoses 2. Factory service is needed

12. Maintenance

1. Your ENVIRO will provide many seasons of reliable service if it is properly maintained. The actual maintenance requirements are minimal but important.
2. Keep the unit clean by wiping it down with a damp cloth to remove dirt, oils, etc. prior to storage for the day. Standard household detergent or isopropyl alcohol may be used if the unit is particularly dirty; in all cases, exercise care to prevent liquids from entering the unit. Gasoline and other solvents are to be avoided as they can damage the ENVIRO plastic enclosure and they are hazardous.
3. Clean inlet particle filter regularly. Discard internal filter screen if it is heavily contaminated and replace with a new screen. Replace screen as per sketch for efficiency.
4. Ensure that the Inlet and Discharge ports are protected and kept clean by replacing the plastic caps after every use. For best results, keep a FILTER permanently connected to the INLET port and change it regularly.
5. Change HOSES periodically as they develop leaks and a build-up of contaminants over time. Change hoses at least once per season.
6. When performance declines it is likely that the compressor seals require replacing. This is normal with use and may occur after a year or two or more often, depending upon the conditions that are

prevalent during the recovery operations. Contact your Wholesaler for assistance in selecting the proper maintenance kit.

13. Service

DO NOT CHANGE any of the original components as the safety of the machine could be compromised. All service work must be performed at a REFCO approved facility in order to maintain the safety rating and the Warranty, if applicable.

14. Recycling

For disposal, please bring your recovery machine to an official recycling location.

BEDIENUNGSANLEITUNG

ENVIRO

Inhaltsverzeichnis

1. Allgemeines.....	1
2. Sicherheit.....	3
2.1 Personalqualifikation.....	4
2.2 Besondere Gefahren.....	4
2.3 Sicherheitsmarkierungen.....	8
3. Technische Daten	9
4. Teilbezeichnung	10
5. Anleitung zur Betriebskonsole.....	11
6. Elektrischer Schaltplan.....	12
7. Betrieb.....	13
8. Absaugvorgehen.....	16
9. Selbstreinigungsverfahren.....	18
10. Push-/Pull-Modus für Flüssigkeiten	19
11. Häufig gestellte Fragen und Problemlösungen	22
12. Unterhalt	24
13. Service	25
14. Recycling	25


1. Allgemeines

Vielen Dank für den Erwerb des ENVIRO Kältemittelabsauggeräts!

ENVIRO kombiniert innovative Absaugtechnologie mit einem ergonomischen, robusten Design für maximalen Schutz bei Transport und Gebrauch.

Bei ordnungsgemäsem Gebrauch und richtiger Pflege entsprechend der Bedienungsanleitung, können Sie Ihr ENVIRO Absauggerät jahrelang störungsfrei einsetzen.

Sicherheit geht vor!

 Dieses internationale Symbol, das auf dem Gerät vorzufinden ist, weist den Benutzer auf wichtige Betriebs-, Sicherheits- und Wartungsanweisungen hin, die in dieser Bedienungsanleitung zu finden sind. Wenn dieses Symbol in der Anleitung verwendet wird, weist es auf kritische Aspekte hin.

Bitte lesen Sie diese Anleitung vor Verwendung des Geräts vollständig durch und machen Sie sich mit allen Inhalten vertraut!

ENVIRO ist ein Absauggerät, das für zahlreiche Kältemittel eingesetzt werden kann. Das Absaugen von Kältemitteln in einen separaten Zylinder erfolgt durch Gasverdichtung, wodurch ein hoher Druck im Gerät, in den Verbindungsschläuchen und im separaten Zylinder entsteht. Hochdrucksysteme müssen stets vorsichtig behandelt werden, um Unfälle durch Unachtsamkeit zu vermeiden.

Produktsicherheit:

ENVIRO wurde so konzipiert, dass die Anforderungen der Norm für Kältemittelabsauggeräte, **ARI** und **CE**, erfüllt werden.

Verwenden Sie immer eine zugelassene Waage zur Überwachung der Zylinderfüllmenge, sofern kein zugelassener Zylinder mit Überfüllsicherung zur Verfügung steht. Darüber hinaus müssen die Kältemittelschläuche mit mehr als 300mm Länge ab Schlauchende mit einer Absperrsic-herung versehen sein, um bei Zylinderwechsel oder Aufb-aueränderung die Wahrscheinlichkeit eines Kältemitt-elaustritts in die Atmosphäre zu verringern.

Haftung:

Das ENVIRO Absauggerät darf nur durch ausgebildetes Fachpersonal verwendet werden, das mit der Pflege und dem Gebrauch des Geräts und mit dem Absaugprozess vertraut ist.

- Die Betriebsanleitung ist Produktbestandteil und muss in unmittelbarer Nähe des ENVIRO für das Fachpersonal jederzeit zugänglich aufbewahrt werden.
- Das Fachpersonal muss die Betriebsanleitung vor Beginn aller Arbeiten sorgfältig durchgelesen und verstanden haben.
- Die Haftung des Herstellers erlischt bei Schäden durch bestimmungswidrige Verwendung, Nichtbeachten dieser Betriebsanleitung, Einsatz ungenügend qualifizierten Fachpersonals sowie eigenmächtigen Veränderungen am ENVIRO.

- Es gelten die Allgemeinen Geschäftsbedingungen, wie sie in den Verkaufsunterlagen dargelegt sind.
- Technische Veränderungen vorbehalten.

Symbolerklärung

WARNUNG!



... weist auf eine möglicherweise gefährliche Situation hin, die zum Tod oder zu schweren Verletzungen führen kann, wenn sie nicht gemieden wird.

GEFAHR!



... kennzeichnet Gefährdung durch elektrischen Strom. Bei Nichtbeachtung der Sicherheitshinweise besteht die Gefahr schwerer oder tödlicher Verletzungen.

2. Sicherheit

WARNUNG!



Vor Einrichtung und Betrieb sicherstellen, dass das Gerät keine Schäden aufweist. Bei Nichtbeachten können schwere Körperverletzungen un-d/oder Sachschäden auftreten.

GEFAHR!



Lebensgefahr durch elektrischen Strom.

2.1 Personalqualifikation



WARNUNG!

Verletzungsgefahr bei Betrieb durch unzureichend qualifiziertes Personal!

Unsachgemässer Umgang kann zu erheblichen Personen- und Sachschäden führen.

- Die in dieser Betriebsanleitung beschriebenen Tätigkeiten nur durch Fachpersonal mit nachfolgend beschriebener Qualifikation durchführen lassen.
- Unqualifiziertes Personal von den Gefahrenbereichen fernhalten.

Fachpersonal

Das Fachpersonal ist aufgrund seiner fachlichen Ausbildung und seiner Bedienungskennnisse des Absauggeräts in der Lage, die beschriebenen Arbeiten auszuführen und mögliche Gefahren selbstständig zu erkennen.

DIESES GERÄT DARF AUSSCHLIESSLICH DURCH FACH-PERSONAL VERWENDET WERDEN. IN DEN MEISTEN LÄNDERN MUSS DER BENUTZER ÜBER EINE ENTSPRECHENDE FACHAUSBILDUNG VERFÜGEN. BITTE KLÄREN SIE DIES MIT DER ZUSTÄNDIGEN LOKALEN BEHÖRDE AB.

2.2 Besondere Gefahren



Vor jedem Einsatz ist die ordnungsgemässe Er-
dung des Geräts zu prüfen!

Gefahr von schweren Körperverletzungen mit möglicher Todesfolge!



Während der Verwendung des Elektrokabels muss dieses ordnungsgemäss angeschlossen und geerdet sein.

Gefahr von schweren Körperverletzungen mit möglicher Todesfolge!



Die Verkabelung muss entsprechend der technischen Spezifikationen und dem Schaltplan durch einen ausgebildeten Elektriker vorgenommen werden.

Gefahr von schweren Körperverletzungen mit möglicher Todesfolge!



Vor Inspektion oder Reparatur des Absauggeräts muss sichergestellt werden, dass die Stromzufuhr abgestellt ist.

Gefahr von schweren Körperverletzungen mit möglicher Todesfolge!



Ausschliesslich zugelassene, wiederauffüllbare Kältemitteltanks verwenden. Das Gerät erfordert die Verwendung von Absaugtanks mit einem Mindestarbeitsdruck von 40 bar (580 psi). Der Absaugtank darf nicht überfüllt werden. Der Tank ist bei einer Füllmenge von 80% voll befüllt. Es muss ausreichend Platz zur Flüssigkeitsausdehnung vorhanden sein. Bei Überfüllen des Tanks besteht Explosionsgefahr.



Zur Vermeidung eines Überfüllens ist eine Füllwaage erforderlich.



Das Tragen von Schutzbrille und Schutzhandschuhen ist beim Arbeiten mit Kältemitteln zum Schutz von Haut und Augen vor Kühlgasen und Kälteflüssigkeit Pflicht. Der Kontakt mit ätzenden Flüssigkeiten oder Gasen ist zu vermeiden. Gefahr von schweren Körperverletzungen!



Vor dem Einsatz muss sichergestellt werden, dass der Raum, in welchem Arbeiten vorgenommen werden, gut belüftet ist.



Bei Verwendung eines Verlängerungskabels muss dieses einen Mindestquerschnitt von 1,5 mm² (15 awg) aufweisen und darf nicht länger als 7.5m sein. Das Kabel soll ganz abgerollt sein. Andernfalls kann es zu einem Spannungsabfall und einer Beschädigung des Kompressors kommen!



Der Eingangsdruck des Geräts darf 26 bar (377 psi) nicht überschreiten.



Das Gerät darf nur in horizontaler Position verwendet werden, da sonst Vibrationen, Geräusche und Verschleiss auftreten können.



Das Gerät sollte weder Sonne noch Regen ausgesetzt werden.



BEIM EINSATZ IM FREIEN IST BESONDERE VORSICHT GEBOTEN. Es ist sicherzustellen, dass das Netzkabel, das Überfallsicherungskabel und das Gerät selbst nicht in Wasser oder an anderen potentiell gefährlichen Orten eingesetzt werden. Trotz des äusserst sicheren Betriebs von ENVIRO darf das Gerät bei Regenfall oder Sandstürmen im Freien nicht verwendet werden.



ENTZÜNDLICHE UMGEBUNGEN sind beim Betrieb aller Geräte GEFÄHRLICH, da Motoren und Schalter Funkenbildung verursachen können. Dieses Gerät darf nur an Orten mit mechanischer Belüftung mit mindestens vier Luftwechseln pro Stunde oder mit einem Bodenabstand von mindestens 5 cm eingesetzt werden.

DIESES GERÄT DARF NICHT IN DER UMGEBUNG VON

AUSGELAUFENEM BENZIN ODER ANDEREN ENTZÜNDLICHEN FLÜSSIGKEITEN ODER IN DER NÄHE OFFENER BEHÄLTER VERWENDET WERDEN, WELCHE SOLCHE FLÜSSIGKEITEN ENTHALTEN.



Die Belüftungsöffnung des Geräts darf nicht blockiert werden.



Bei Aktivierung der Überlastsicherung kann diese nach 5 Minuten zurückgesetzt werden.

2.3 Sicherheitsmarkierungen

⚠ SAFETY INSTRUCTIONS

- This unit should be operated only by qualified operators!
- Read all safety, operating guidelines and instructions carefully before starting the unit.
- Always operate the unit with safety goggles and protective gloves.
- Only a refillable recovery tank with a minimum working pressure of 45 bar should be used. In case of 80% O.F.P. a scale must be used to avoid overfilling the recovery tank.

- This equipment should be used in locations with mechanical ventilation providing at least 4 air changes per hour or the equipment should be located at least 50cm above the floor.
- Do not use this equipment in the vicinity of spilled or open containers of gasoline.
- Use a 3-wire extension cord with a minimum cross-section of 1.5mm² and a length of no more than 7.5m, ensure reliable grounding.
- The inlet pressure must not exceed 26 bar.

 REFCO Manufacturing Ltd.
Industriestrasse 11
6285 Hitzkirch - Switzerland

Model: ENVIRO
Item No.: 4686345
Spec.: 230V, 50/60Hz, 0.55kW

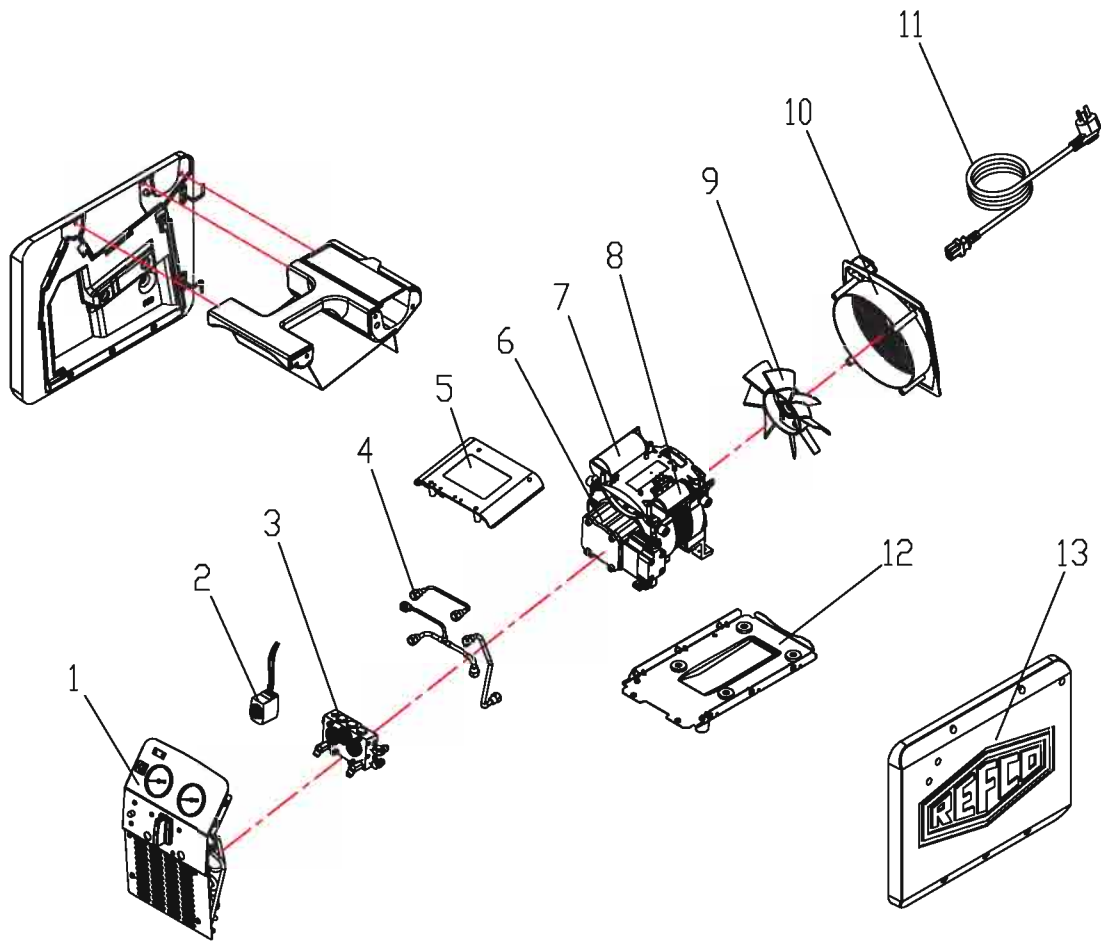
Serial No.:

3. Technische Daten

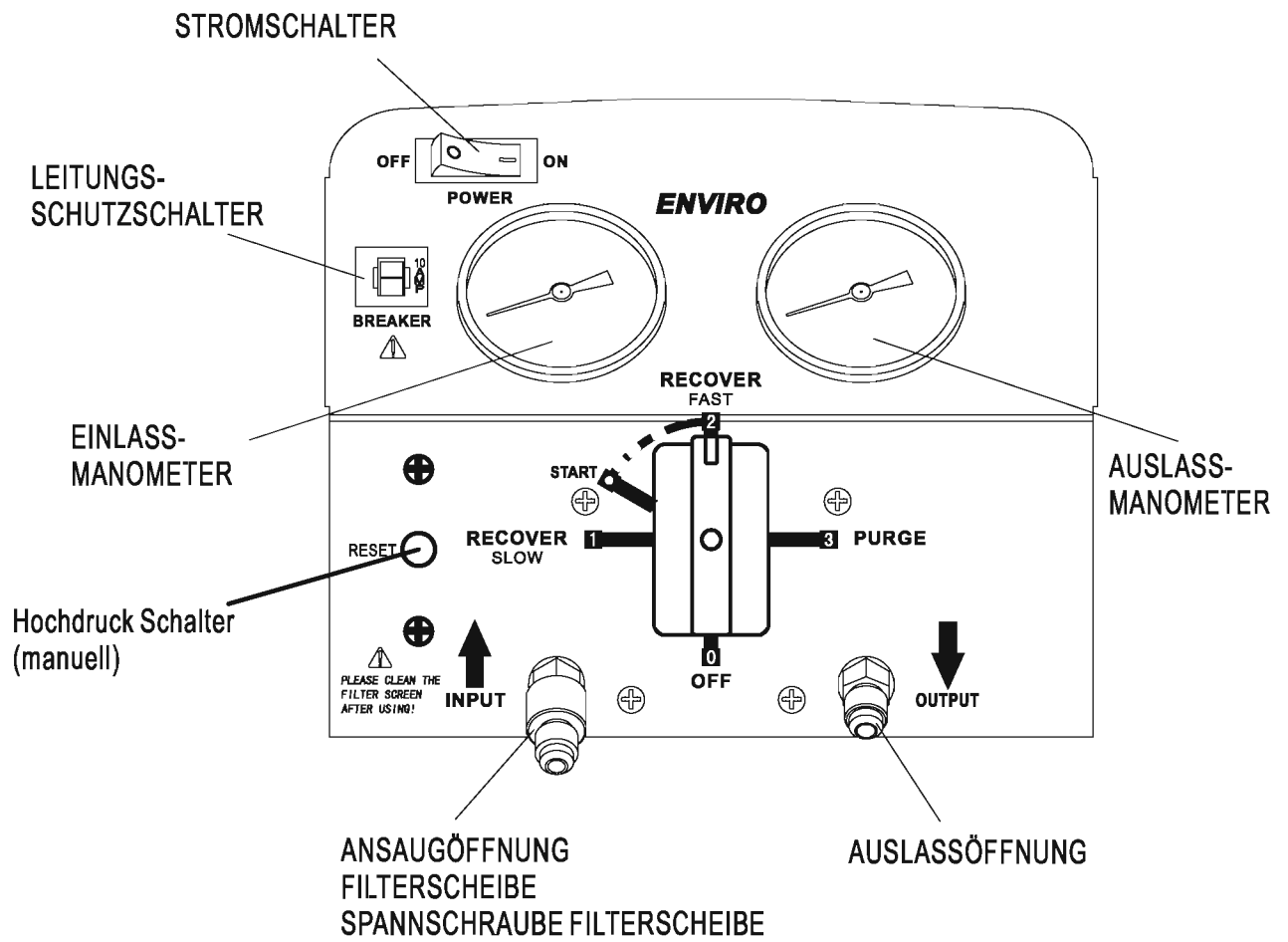
Kältemittel			
Kategorie III	R-12, R-134a, R-401C, R-406A, R-500		
Kategorie IV	R-22, R-401A, R-401B, R-402B, R-407C, R-407D, R-408A, R-409A, R-411A, R-411B, R-412A, R-502, R-509		
Kategorie V	R-402A, R-404A, R-407A, R-407B, R-410A, R-507		
Spannungsversorgung	220-240VAC 50-60Hz		
Motor	0.55 kW		
Motorgeschwindigkeit	1450rpm@50Hz		
Stromaufnahme	5A@50Hz		
Kompressor Ausführung	Ölfrei, luftgekühlt, ein Kolben-Ausführung		
Hochdruckabschaltung	38.5bar/3850kPa (558psi)		
Absauggeschwindigkeit	Kategorie III	Kategorie IV	Kategorie V
Gas	0.30 Kg/min	0.38 Kg/min	0.50 Kg/min
Flüssigkeit	2.00 Kg/min	2.20 Kg/min	2.30 Kg/min
Push-/Pull-Modus	4.60 Kg/min	5.60 Kg/min	6.30 Kg/min
Umgebungstemperatur	0°C-40°C/32-104°F		
Abmessungen	400mm(L)×250(B)mm×345mm(H)		
Nettogewicht	14.5kg		

4. Teilebezeichnung

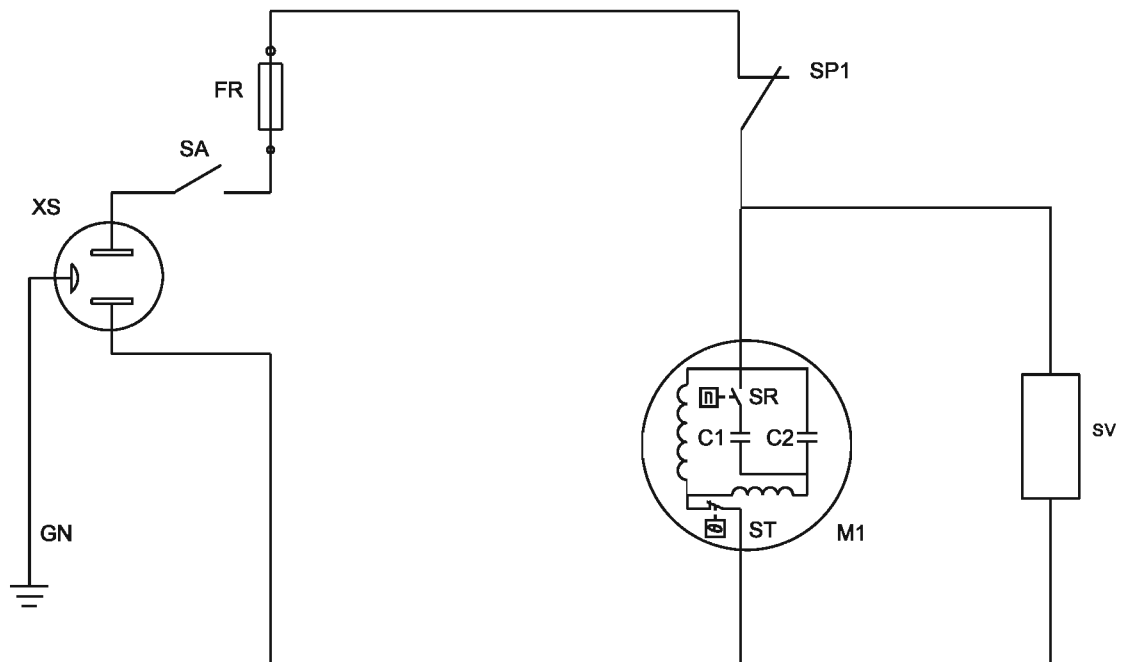


Nr.	Komponente	Nr.	Komponente
1	Frontkonsole	8	Startkondensator
2	Magnetventil	9	Ventilator
3	Kontrollventil	10	Ventilatorabdeckung
4	Kupferrohre	11	Netzanschlusskabel
5	Abdeckung Abzweigdose	12	Grundplatte
6	Kompressor	13	Plastikabdeckung
7	Betriebskondensator		

5. Anleitung zur Betriebskonsole



6. Elektrischer Schaltplan



TEIL	Symbol in der Graphik	BESCHREIBUNG	ANMERKUNGEN
1	XS	Steckdose	
2	SA	Stromschalter	
3	FR	Überlastschutz	
4	SP1	Hochdruck-Schaltvorrichtung	
5	M1	Kompressormotor	
6	SV	Solenoid Valve	

7. Betrieb

1. Keine unterschiedlichen Kältemittel in ein und demselben Tank mischen. Ihre Trennung und Verwendung ist ansonsten nicht mehr möglich.
2. Der Drehschalter muss vor Inbetriebnahme auf „Position 0“ stehen. Wenn das Gerät nicht in Betrieb ist, müssen alle Ventile geschlossen und die Einlass- und Auslassanschlüsse mit Schutzkappen versehen sein. Luftfeuchtigkeit kann die Rückgewinnung beeinträchtigen und zu einer verkürzten Lebensdauer des Geräts führen.
3. Es sollte ein Trockenfilter verwendet werden, der regelmäßig ausgetauscht werden muss. Für jedes Kältemittel muss ein eigener Filter vorhanden sein. Es sollten von unserem Unternehmen empfohlene Filter verwendet werden, um einen ordnungsgemäßen Betrieb des Geräts zu gewährleisten. Mit Qualitäts-Trockenfiltern können die besten Ergebnisse erzielt werden.
4. Vorsicht beim Absaugen aus „durchgebrannten“ Anlagen. In diesem Fall müssen zwei in Reihe geschaltete Filter verwendet werden.
5. Das Gerät verfügt über eine interne Hochdruckabschaltung. Übersteigt der interne Systemdruck 38.5 bar, schaltet der Kompressor automatisch die Stromzufuhr ab. Zum Neustart des Kompressors muss der interne Druck abgelassen und die Hochdruckabschaltung zurückgesetzt werden.

Anschliessend kann die Stromzufuhr zum Neustart des Kompressors wieder eingeschaltet werden.

Schaltet sich das Gerät durch die Hochdruckabschaltung aus, zunächst eine Fehlersuche durchführen und anschliessend neu starten.

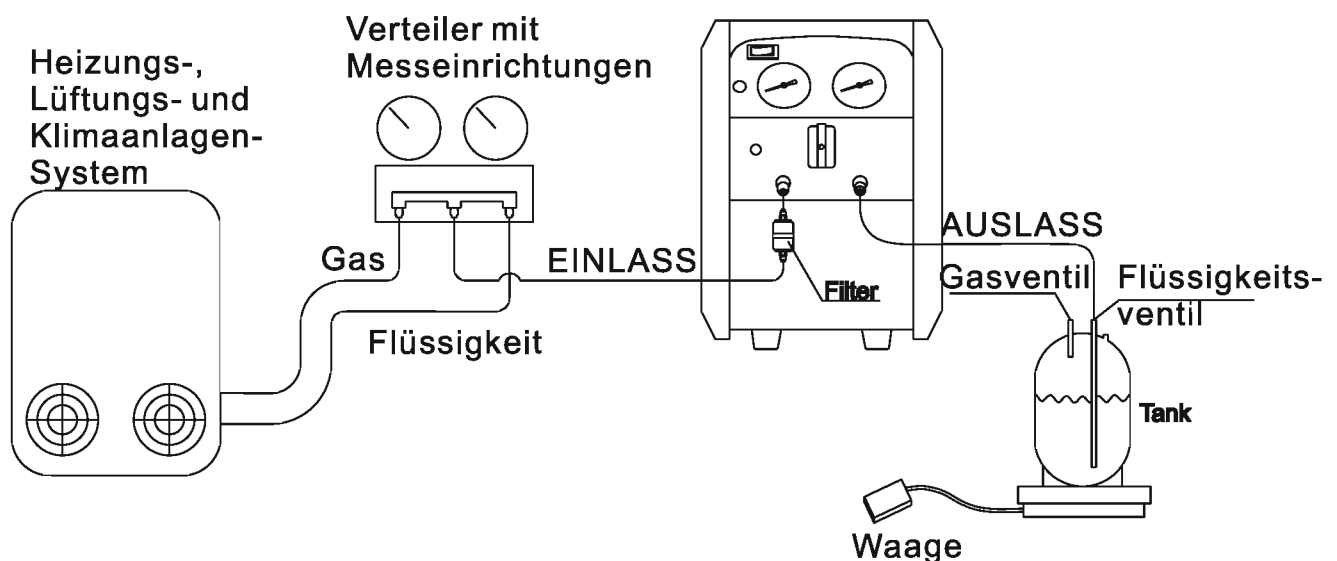
Hauptgründe und Problemlösungen für die Druckabschaltung:

- a. Das Einlassventil des Kältemitteltanks ist verschlossen – zur Problembehebung das Ventil öffnen.
 - b. Der Verbindungsschlauch zwischen Absauggerät und Kältemitteltank ist blockiert – alle Ventile schliessen und den Verbindungsschlauch ersetzen.
 - c. Die Temperatur im Kältemitteltank ist zu hoch, wodurch der Druck zu hoch ist – zum Abkühlen etwas Zeit verstreichen lassen, wodurch sich der Druck normalisiert.
6. Zur Überwachung des Absaugprozesses muss das Absauggerät mit einer elektrischen Waage verwendet werden.
 7. Zum Erreichen der maximalen Absauggeschwindigkeit wird ein Schlauchinnendurchmesser von über 4 mm empfohlen, wobei der Schlauch kürzer als 1.5 m sein sollte.
 8. Beim Absaugen grosser Flüssigkeitsmengen den Push-/Pull-Modus verwenden.

9. Vergewissern Sie sich nach dem Absaugen, dass die Anlage frei von Kältemittel ist. Lesen Sie die Hinweise zur Selbstreinigung sorgfältig durch. Rückstände flüssigen Kältemittels können sich ausdehnen und die Bauteile beschädigen.
10. Wir empfehlen, das Kältemittel vollständig aus der Anlage abzulassen und sie mit trockenem Stickstoff zu spülen, wenn diese über einen beliebigen Zeitraum gelagert oder nicht verwendet wird.
11. Zur Vermeidung von Kältemittelverlust wird empfohlen, Verbindungsschläuche mit Absperrventil zu verwenden.
12. Die Ansaugöffnung ist mit einer Filterscheibe versehen. Diese muss regelmässig gesäubert werden.
13. Lässt sich das Gerät nur schwer starten, den Drehschalter zweimal herumdrehen, damit sich der Innendruck normalisiert und das Gerät leichter gestartet werden kann.
14. Die Niederdruckanzeige gibt den Druck der Ansaugöffnung des Kompressors an, während die Hochdruckanzeige den Druck der Auslassöffnung anzeigt.
15. Den Schalter nach Verwendung auf Position „0“ drehen.

8. Absaugvorgehen

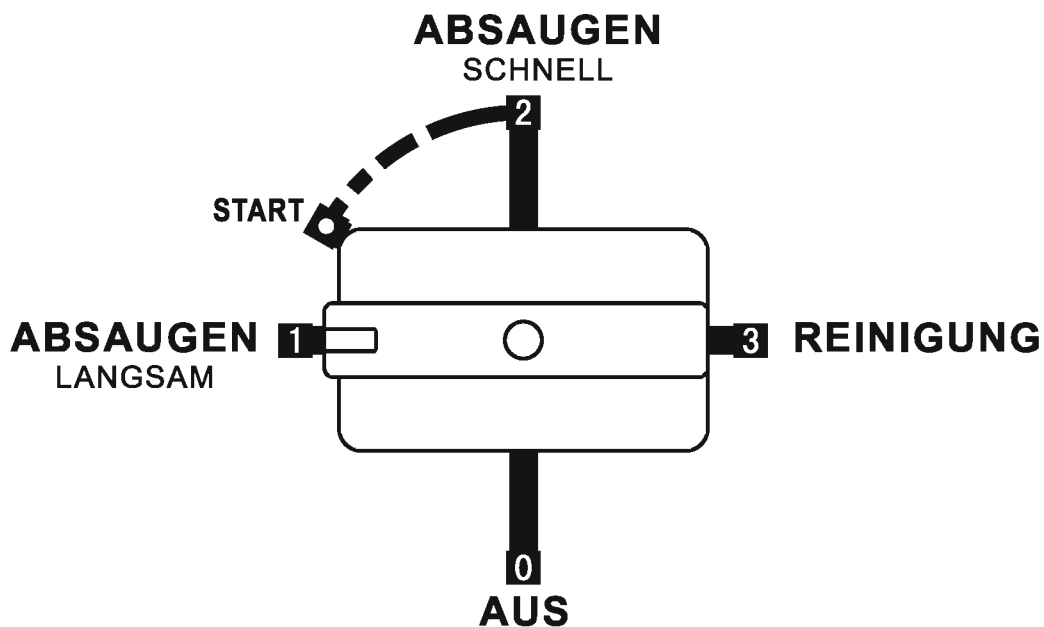
1. Den Schalter auf Position „1“ drehen.
2. Alle Anschlüsse korrekt und fest anziehen (siehe Anschlussübersicht).
3. Das Absauggerät an die richtige Stromzufuhr anschließen (siehe Typenschild). Die Stromzufuhr einschalten, um das Gerät zu starten.
4. Das Ventil des Kältemitteltanks öffnen.



5. Das Flüssigkeitsventil des Verteilers mit Messeinrichtungen öffnen.
6. Drehen Sie den Schalter zum schnelleren Absaugen langsam auf Position „2“.

Hinweis:

- a. Falls der Kompressor auf Position „2“ klopft , langsam den Schalter auf Position „START“ drehen. Die Niederdruckanzeige beginnt abzufallen bis es schliesslich zu keinem Klopfen mehr kommt. Der Druck muss über „0“ liegen , da die Ansaugöffnung sonst kein Kältemittel aufnehmen kann.
Falls die Maschine nach dem Ausschalten nicht startet, den Schalter auf Position „START“ drehen, dann einschalten und „RESET“ drücken.
 - b. Bei laufendem Gerät, auf Position „1“ , kann eine konstante, jedoch langsamere Absauggeschwindigkeit beibehalten werden. Falls es auf Position „1“ klopft , den Schalter langsam im Uhrzeigersinn auf Position „START“ drehen. Die Niederdruckanzeige fällt ab, bis es zu keinem Klopfen mehr kommt. Der Druck muss über „0“ bleiben, da sonst kein Kältemittel aufgenommen werden kann.
7. Drehen Sie den Schalter nach erfolgtem Absaugen der Flüssigkeit zum schnelleren Absaugen des Gases auf Position „2“ .
 8. Das Gerät stellt sich nach erfolgtem Absaugen automatisch ab. Bitte anschliessend Reinigungsvorgang starten.



9. Selbstreinigungsverfahren

1. Die Stromzufuhr nicht abschalten; bringen Sie den Drehschalter auf Position „3“, um die Reinigung zu starten.
2. Das Gerät schält sich automatisch ab, wenn das gewünschte Vakuum erreicht ist.
 - a. Das Ventil des Kältemitteltanks schliessen.
 - b. Das Absperrventil der Verbindungsschläuche schliessen.
 - c. Das Flüssigkeits- und Gasventil des Verteilers mit Messeinrichtungen schliessen.
 - d. Das Verbindungsventil zwischen dem Kältemittelsystem und dem Ventilblock schliessen.
 - e. Die Stromzufuhr abstellen und alle externen Schläuche entfernen.
 - f. Die Ansaug- und Auslassöffnung jeweils mit einer Verschlusskappe versehen.

WARNUNG!

Nach jeder Verwendung muss eine Reinigung vorgenommen werden. Vergewissern Sie sich, dass die Anlage frei von Kältemittel ist. Rückstände von flüssigem Kältemittel können sich ausdehnen und Bauteile beschädigen.

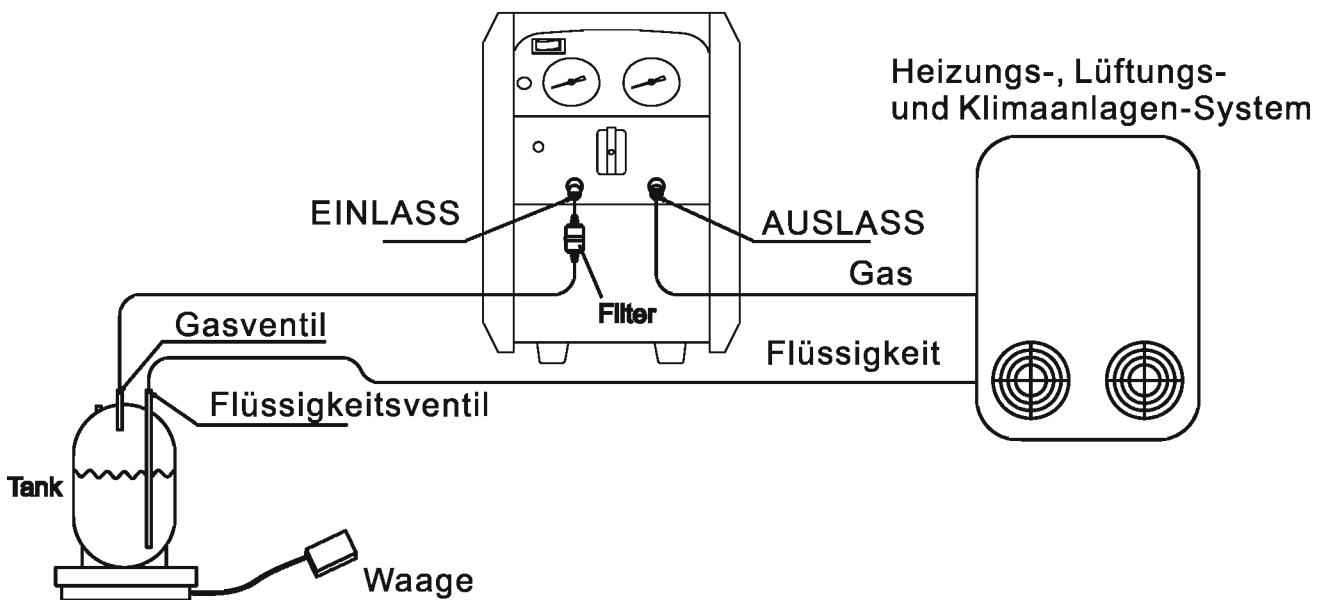
10. Push-/Pull-Modus für Flüssigkeiten

Beim Absaugen grosser Kälteflüssigkeitsmengen von über 10 kg wird der Push-/Pull-Modus empfohlen.

WARNUNG!

Zur Überwachung des Absaugprozesses muss das Absauggerät mit einer Füll-Waage verwendet werden. Sobald der Absaugprozess beginnt, kann es zu einem Überfüllen des Kältemitteltanks kommen, selbst wenn der Tank mit einem Schwimmer-Füllstandssensor ausgestattet ist. Selbst durch Abschalten des Geräts kann das Absaugen möglicherweise nicht gestoppt werden. Die Ventile des Tanks und Geräts müssen in diesem Fall manuell verschlossen werden, um ein Überfüllen zu vermeiden.

1. Den Drehschalter auf Position „1“ stellen.
2. Alle Anschlüsse korrekt und fest anziehen (siehe Anschlussübersicht).
3. Die Stromzufuhr anstellen, um das Gerät zu starten.



4. Das Gas- und Flüssigkeitsventil des Kältemitteltanks öffnen.
5. Den Drehschalter auf Position „2“ bringen, um den Absaugprozess im Push-/Pull-Modus zu starten.
6. Wenn sich die Anzeige der elektrischen Waage nicht oder nur sehr langsam verändert, ist das Absaugen der Flüssigkeit beendet und es kann mit der Gasrückgewinnung fortgefahen werden. Die Schläuche müssen neu angeschlossen werden.
7. Das Gasventil des Kältemitteltanks schliessen und anschliessend die Stromzufuhr abstellen.
8. Alle Ventile schliessen und externe Schläuche abnehmen. Alle Schläuche zur Rückgewinnung des gasförmigen Kältemittels anschliessen.
9. REINIGUNG

**WARNUNG!**

Wenn die Anzeige der Füll-Waage angibt, dass das Kältemittel 80% der Füllmenge des Tanks ausfüllt, die Stromzufuhr abstellen und die Tankventile schliessen.

11. Häufig gestellte Fragen und Problemlösungen

Fehler	Ursache	Lösung
Ventilator dreht sich nicht	Mechanischer Schaden	1. Ventilator ersetzen 2. Wenden Sie sich an den Werkskundendienst.
Kompressor arbeitet nicht.	1. Abschalten des Geräts durch Hochdruckabschaltung 2. Interner Leitungsfehler des Geräts	1. Gerätedruck senken - betätigen Sie den Hochdruckschalter, um das Gerät zurückzusetzen. 2. Wenden Sie sich an den Werkskundendienst.
Kompressor kann nicht gestartet werden (blockiert)	1. Externer Druck ist zu hoch 2. Motorversagen oder Beschädigung eines anderen Bauteils	1. Drehen Sie den Drehschalter zweimal herum, stellen Sie ihn dann auf Position „1“ und nehmen Sie anschliessend einen Neustart vor. 2. Wenden Sie sich an den Werkskundendienst.

Fehler	Ursache	Lösung
Kompressor läuft an, schaltet sich jedoch innerhalb weniger Minuten wieder ab.	<ol style="list-style-type: none"> 1. Hochdruckabschaltung durch unsachgemässen Gebrauch wie: Auslassventil verschlossen, Kältemittel-tankventil verschlossen 2. Abschalten des Motors durch Motorüberlastschutz 3. Abschaltung durch Leistungsschalter 	<ol style="list-style-type: none"> 1. Lesen Sie die Bedienungsanleitung sorgfältig durch und befolgen Sie bei Anwendung sämtliche Anweisungen. 2. Lassen Sie etwas Zeit verstreichen, bis Sie den Motor neu starten. 3. Lassen Sie den Leistungsschalter abkühlen und führen Sie nach 5 Minuten einen Neustart durch.
Niedrige Absauggeschwindigkeit	<ol style="list-style-type: none"> 1. Der Druck des Kältemittel-tanks ist zu hoch. 2. Die Kolbenmanschette des Kompressors ist beschädigt. 	<ol style="list-style-type: none"> 1. Durch Abkühlen des Tanks kann der Druck gesenkt werden. 2. Wenden Sie sich an den Werkskundendienst.
Kein ausreichendes Vakuum	<ol style="list-style-type: none"> 1. Schlauchanschluss gelockert 2. Gerät undicht 	<ol style="list-style-type: none"> 1. Verbindungsschläuche fest anziehen 2. Wenden Sie sich an den Werkskundendienst.

12. Unterhalt

1. Die Massnahmen zum Unterhalt der ENVIRO sind minimal aber sehr wichtig.
2. Halten Sie das Gehäuse stets sauber und reinigen Sie dieses mit einem feuchten Lappen um Staub und Ölreste zu entfernen. Falls das Gerät äusserlich stark verschmutzt ist, benützen Sie normales Haushaltpflege- oder Reinigungsmittel oder Reinigungsalkohol. Stellen Sie beim Reinigen sicher, dass kein Wasser ins Innere des Gerätes kommen kann. Lösungsmittel dürfen nicht benützt werden, da diese das Gehäuse beschädigen könnten.
3. Reinigen Sie den Einlasspartikelfilter regelmässig.
4. Stellen Sie nach jedem Gebrauch des Gerätes sicher, dass die Plastikverschlusskappen wieder aufgesetzt werden.
5. Die Schläuche sollten von Zeit zu Zeit ersetzt werden, jedoch mindestens einmal pro Jahr.
6. Wenn die Leistung der ENVIRO nachlässt ist es möglich, dass die Dichtungen im Kompressor ersetzt werden müssen. Dies ist normal und muss je nach Gebrauch und Gebrauchskonditionen nach 1-2 Jahren vorgenommen werden. Kontaktieren Sie in diesem Fall Ihren Händler.

13. Service



ERSETZEN SIE KEINE DIESER KOMPONENTEN DURCH ANDERE, sonst kann das Funktionieren und die Sicherheit der ENVIRO nicht mehr gewährleistet werden. Reparaturen dürfen nur durch REFCO oder von REFCO anerkannte Betriebe ausgeführt werden.

14. Recycling

Zur Entsorgung, bringen Sie die ENVIRO zu einem offiziellen Recycling Platz.

MODE D'EMPLOI

ENVIRO


Sommaire

1. Généralités.....	1
2. Sécurité.....	3
2.1 Qualifications du personnel.....	4
2.2 Dangers spécifiques.....	5
2.3 Signalisation / Marquages de sécurité.....	8
3. Caractéristiques techniques	9
4. Désignation des pièces.....	10
5. Consignes du panneau de commande	11
6. Schéma électrique.....	12
7. Fonctionnement.....	13
8. Processus de récupération	16
9. Processus de purge automatique.....	18
10. Réfrigérant liquide : mode Push / Pull (surpression)...	19
11. FAQ et dépannage	22
12. Maintenance	24
13. Service	25
14. Recyclage.....	25

1. Généralités

Félicitations pour l'achat de la station de récupération pour réfrigérants ENVIRO ! ENVIRO associe un système novateur de compression à gaz pour réfrigérant et un solide carter moulé offrant un maximum de protection en cours de transport et d'utilisation normale. Dans le cadre de l'usage normal et du soin recommandés dans ce mode d'emploi, votre ENVIRO fonctionnera parfaitement pendant des années.

Priorité à la sécurité !

 Apposé sur l'appareil, ce symbole international vise à alerter l'utilisateur du fait que ce mode d'emploi contient des consignes importantes en matière d'utilisation, de sécurité et de maintenance (entretien). Comme employé dans ce document, il doit attirer l'attention de l'utilisateur sur certains points cruciaux. Il est donc essentiel d'avoir lu et compris ce mode d'emploi dans son intégralité avant d'engager tout travail !

L'ENVIRO est une station de récupération convenant à toute une série de réfrigérants. La récupération de réfrigérants dans un cylindre accumulateur dissocié implique un processus de compression à gaz. Ce processus provoque de fortes pressions dans l'appareil, les tuyaux de raccordement et le cylindre accumulateur. Les systèmes à haute pression doivent toujours être manipulés avec soin et précaution pour éviter tous accidents par négligence.

Sécurité du produit :

L'ENVIRO a été conçu conformément aux exigences de la norme applicable aux dispositifs de récupération pour réfrigérants, **ARI** et **CE**. En cas d'indisponibilité d'un cylindre à trop-plein homologué, se servir systématiquement d'une balance homologuée pour surveiller la capacité du cylindre. En outre, il est indispensable de recourir à des tuyaux de réfrigérant homologués, munis de dispositifs d'arrêt de 300 mm aux extrémités. Ceux-ci permettent de limiter les fuites potentielles de réfrigérant dans l'atmosphère lors du remplacement du cylindre ou des changements d'installation.

Responsabilité :

Seul un technicien qualifié – ayant été correctement formé au maniement précautionneux et à l'usage de cet appareil et du processus de récupération en tant que tel – peut faire fonctionner l'ENVIRO. Son utilisation par un personnel non qualifié est potentiellement dangereuse et doit être évitée.

- Les consignes d'utilisation font partie intégrante du produit et doivent être conservées à proximité directe de l'ENVIRO pour être accessibles à tout moment au personnel qualifié.
- Le personnel qualifié doit avoir lu attentivement et compris ces consignes avant de faire fonctionner l'appareil.
- Le fabricant est dégagé de toute responsabilité en cas de dommages découlant d'une utilisation non-conforme,

de l'inobservation des présentes consignes, de l'intervention de personnel insuffisamment qualifié, voire de la réalisation de modifications sur l'ENVIRO sans l'accord du fabricant.

- Les conditions générales de vente figurant dans les documents commerciaux s'appliquent.
- Sous réserve de modifications techniques.

Explication des symboles

AVERTISSEMENT !



... indique une situation potentiellement dangereuse qui peut entraîner la mort ou des blessures graves si elle n'est pas évitée.

DANGER !



... indique un danger lié au courant électrique. L'inobservation de ces recommandations de sécurité peut provoquer des blessures graves, voire la mort.

2. Sécurité

AVERTISSEMENT !



S'assurer que le dispositif ne présente aucun dommage avant sa mise en service et son utilisation. L'inobservation de cette recommandation peut provoquer des blessures graves et/ou des dommages matériels.

**DANGER !**

Danger de mort par électrocution.

2.1 Qualifications du personnel

**AVERTISSEMENT !**

Risque de blessures dû à un manque de qualification du personnel !

Une manipulation non conforme de l'appareil peut entraîner de graves dommages matériels et corporels.

- Les travaux décrits dans ce mode d'emploi doivent être réalisés exclusivement par un personnel compétent possédant les qualifications requises ci-dessous.
- Interdire l'accès des zones dangereuses au personnel non qualifié.

Personnel qualifié

Du fait de sa formation spécialisée et de ses connaissances du fonctionnement de la station de récupération, le personnel qualifié est en mesure d'exécuter les travaux décrits et de détecter lui-même d'éventuels dangers.

SEUL UN PERSONNEL TECHNIQUE QUALIFIÉ DOIT FAIRE FONCTIONNER CET APPAREIL ; LA PLUPART DES ÉTATS, PAYS, ETC... SONT EN DROIT D'EXIGER QUE L'UTILISATEUR DISPOSE D'UNE FORMATION ADEQUATE. VEUILLEZ VOUS RENSEIGNER AUPRÈS DES AUTORITÉS LOCALES.

2.2 Dangers spécifiques



S'assurer que l'appareil est bien raccordé à la terre avant de le mettre en marche.
Danger de blessures graves et de mort !



Le cordon électrique doit être parfaitement branché et raccordé à la terre pendant son utilisation.
Danger de blessures graves et de mort !



Seul un électricien qualifié peut brancher le cordon conformément à la norme technique et au schéma de connexion.
Danger de blessures graves et de mort !



S'assurer que l'électricité est coupée avant d'examiner ou de réparer la station de récupération.
Danger de blessures graves et de mort !



Se servir exclusivement de réservoirs réutilisables homologués pour contenir le réfrigérant.
La station requiert l'usage de réservoirs de récupération d'une pression de service minimale de 40 bars (580 psi).
Ne pas remplir excessivement ce réservoir car celui-ci est plein lorsque 80% de sa capacité est atteinte. On doit laisser suffisamment d'espace pour l'expansion du liquide remove space; un réservoir excessivement rempli peut causer une violente explosion.



Une balance électrique est nécessaire pour éviter tout trop-plein.



Le port de gants de sécurité et de lunettes de protection est obligatoire lorsqu'on travaille avec des réfrigérants ; le but est de protéger la peau et les yeux des réfrigérants liquides et gazeux. Éviter tout contact avec des gaz ou liquides caustiques. Risque de blessures graves !



Veiller à ce que le local de travail soit entièrement aéré.



En cas d'usage d'une rallonge, le cordon doit mesurer au moins 1,5 mm² (15 awg) et ne pas dépasser 7,5 m de longueur. Sinon, la tension peut chuter et endommager le compresseur !



La pression d'aspiration de l'appareil ne doit pas dépasser 26 bars (377 psi).



Laisser l'appareil en position horizontale. Sinon, on peut voir apparaître des vibrations intempestives, du bruit et des abrasions.



Éviter d'exposer le matériel au soleil ou à la pluie.



PRENDRE DES PRÉCAUTIONS EN CAS D'USAGE DUDISPOSITIF À L'EXTÉRIEUR. S'assurer que le cordon électrique, le cordon de sécurité du cylindre et la station en tant que telle ne se trouvent pas dans l'eau ou d'autres lieux potentiellement dangereux. Bien que le fonctionnement de l'ENVIRO soit très sûr, il faut éviter de s'en servir dans des milieux tels que des pluies très fortes ou des tempêtes de sable.



IL EST DANGEREUX D'UTILISER tout appareil dans des **ENVIRONNEMENTS INFLAMMABLES**, car les moteurs et interrupteurs peuvent produire des étincelles. Ce matériel doit être utilisé dans des locaux équipés d'une ventilation mécanique effectuant au moins quatre changements d'air à l'heure ; sinon, il doit être placé à 50 cm minimum au-dessus du sol.

NE PAS LE FAIRE FONCTIONNER À PROXIMITÉ DE RÉSERVOIRS OUVERTS OU PRÉSENTANT UNE FUITE D'ESSENCE OU D'AUTRES SUBSTANCES INFLAMMABLES.



Ne pas bloquer l'orifice de ventilation de l'appareil.



Si le système de protection de surcharge saute, le repositionner au bout de 5 minutes.

2.3 Signalisation / Marquages de sécurité

Plaque signalétique

⚠ SAFETY INSTRUCTIONS

- This unit should be operated only by qualified operators!
- Read all safety, operating guidelines and instructions carefully before starting the unit.
- Always operate the unit with safety goggles and protective gloves.
- Only a refillable recovery tank with a minimum working pressure of 45 bar should be used. In case of 80% O.F.P. a scale must be used to avoid overfilling the recovery tank.

- This equipment should be used in locations with mechanical ventilation providing at least 4 air changes per hour or the equipment should be located at least 50cm above the floor.
- Do not use this equipment in the vicinity of spilled or open containers of gasoline.
- Use a 3-wire extension cord with a minimum cross-section of 1.5mm² and a length of no more than 7.5m, ensure reliable grounding.
- The inlet pressure must not exceed 26 bar.

 REFCO Manufacturing Ltd.
Industriestrasse 11
6285 Hitzkirch - Switzerland

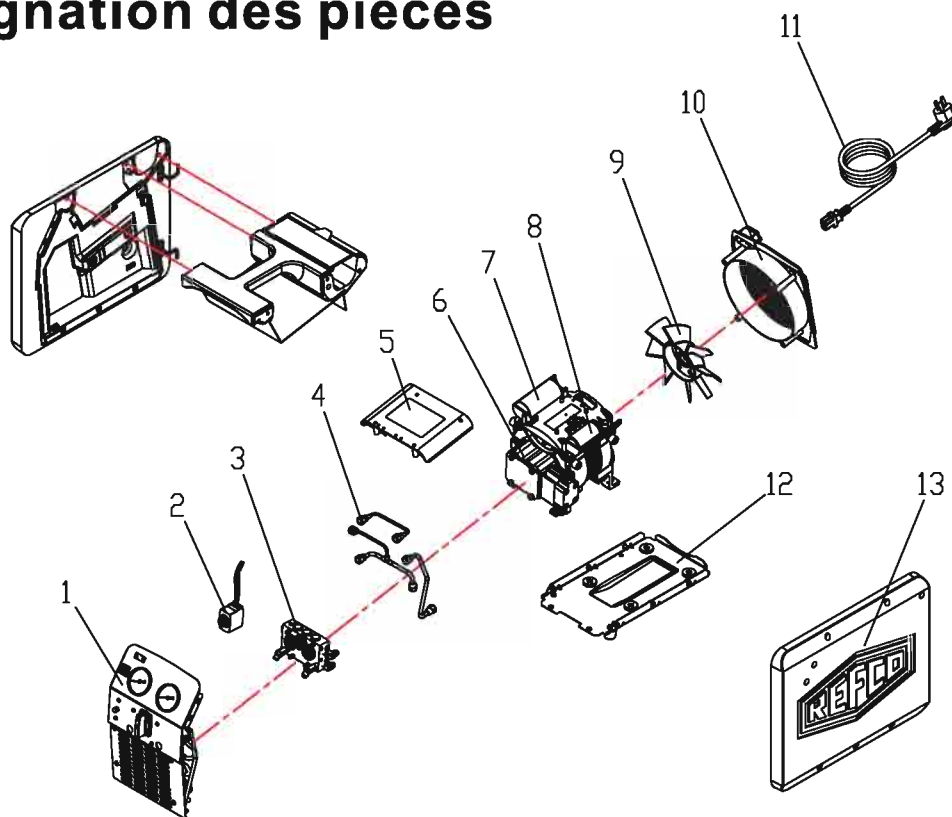
Model: ENVIRO
Item No.: 4686345
Spec.: 230V, 50/60Hz, 0.55kW

Serial No.: CE 

3. Caractéristiques techniques

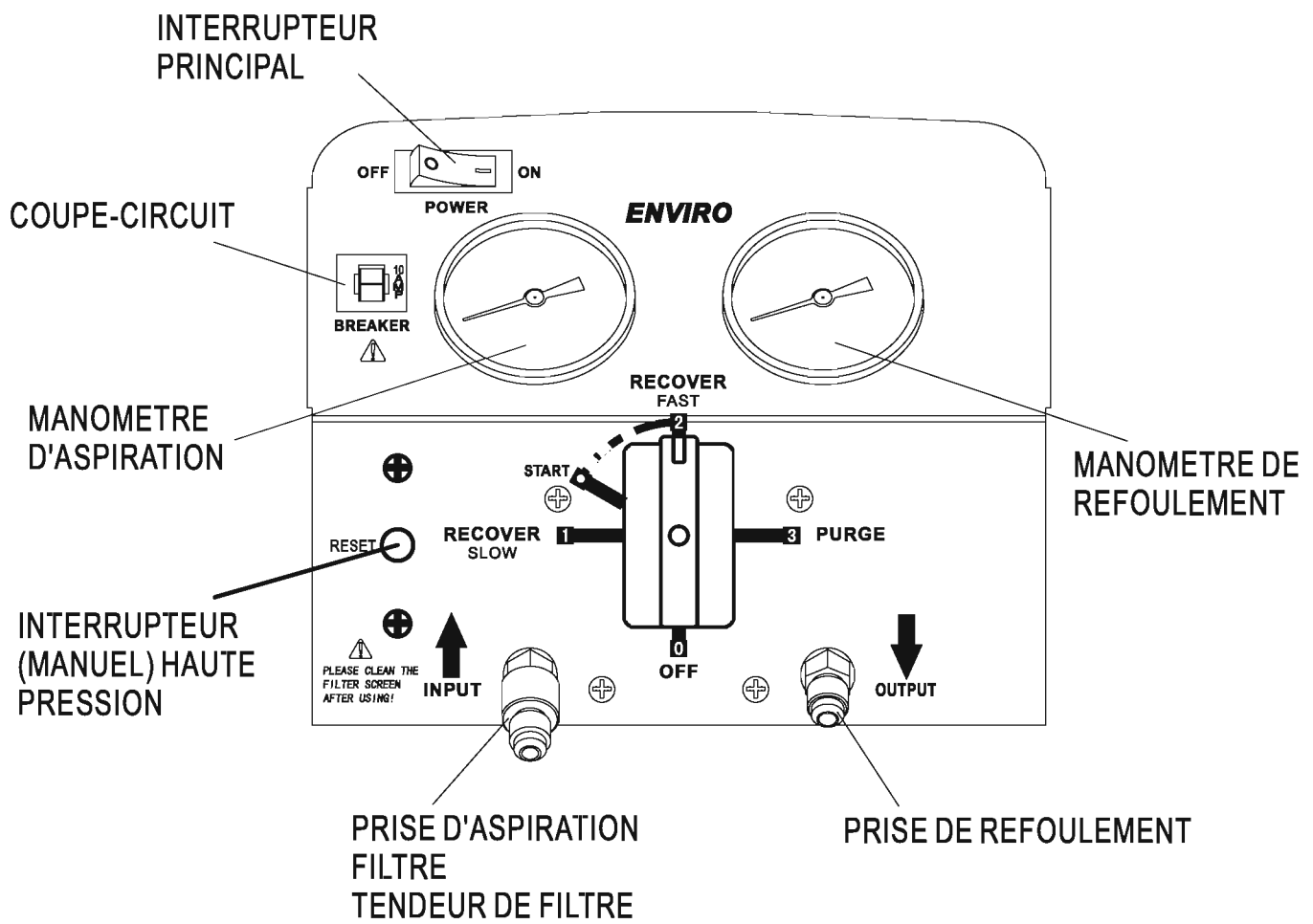
Réfrigérants			
Catégorie III	R-12, R-134a, R-401C, R-406A, R-500		
Catégorie IV	R-22, R-401A, R-401B, R-402B, R-407C, R-407D, R-408A, R-409A, R-411A, R-411B, R-412A, R-502, R-509		
Catégorie V	R-402A, R-404A, R-407A, R-407B, R-410A, R-507		
Alimentation	220-240V CA 50-60 Hz		
Moteur	0.55 kW		
Vitesse moteur	1450rpm@50Hz		
Puissance	5A@50Hz		
Compresseur	Sans huile, à refroidissement à air, piston		
Coupe-circuit haute pression (coupure automatique)	38.5bar/3850kPa (558psi)		
Vitesse de récupération	Catégorie III	Catégorie IV	Catégorie V
Vapeur	0.30 Kg/min	0.38 Kg/min	0.50 Kg/min
Liquide	2.00 Kg/min	2.20 Kg/min	2.30 Kg/min
Mode Push/Pull	4.60 Kg/min	5.60 Kg/min	6.30 Kg/min
Température de fonctionnement	0°C-40°C/32-104°F		
Dimensions	400mm(L)×250(I)mm×345mm(H)		
Poids net	14.5kg		

4. Désignation des pièces

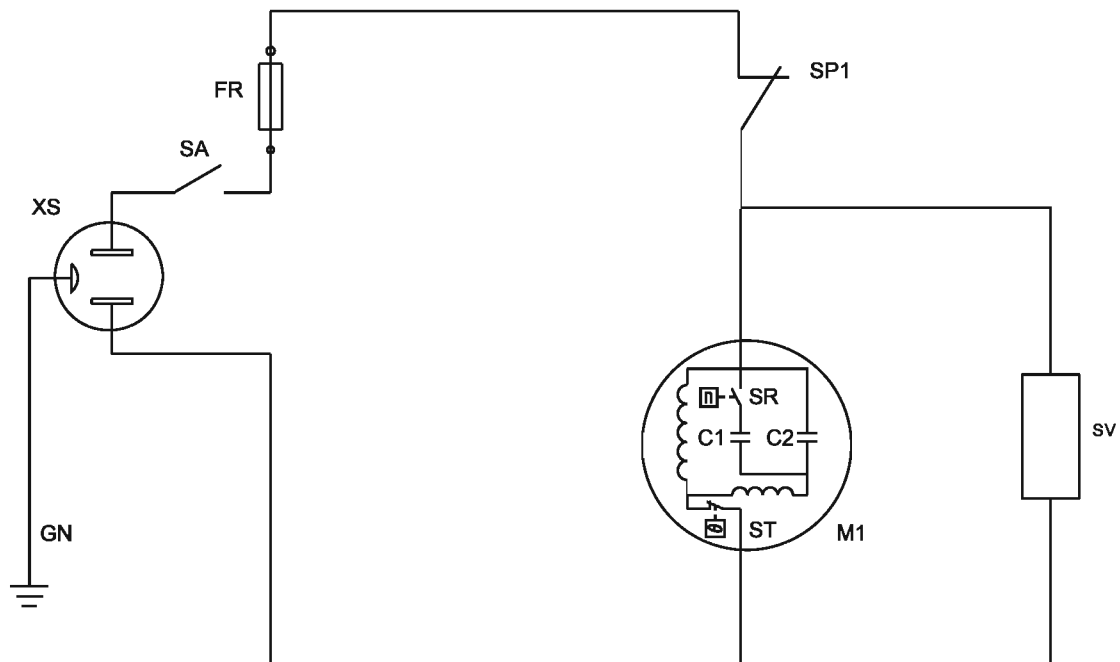


N°	Composant	N°	Composant
1	Panneau avant	8	Condensateur de démarrage
2	électrovalve	9	Ventilateur
3	Valve de contrôle	10	Capot de protection du ventilateur
4	Tuyaux en cuivre	11	Cordon d'alimentation électrique
5	Couvercle boîte de dérivation	12	Base
6	Compresseur	13	Couvercle en plastique
7	Condensateur de marche		

5. Consignes du panneau de commande



6. Schéma électrique



ITEM	Code du schéma	DESIGNATION	Remarques
1	XS	Prise de courant	
2	SA	Interrupteur	
3	FR	Dispositif de protection contre la surcharge	
4	SP1	Commutateur haute pression	
5	M1	Moteur du compresseur	
6	SV	Valve électromagnétique	

7. Fonctionnement

1. S'abstenir de mélanger divers réfrigérants dans un seul réservoir car ils ne pourraient pas être séparés ni utilisés.
2. Avant toute utilisation, l'interrupteur doit être en "position 0". Toutes les valves doivent être fermées, et les prises d'aspiration et de refoulement doivent être munies de bouchons protecteurs lorsque l'appareil ne fonctionne pas. L'humidité de l'air nuit au résultat de la récupération et limite par ailleurs la durée de vie de la station.
3. Il faut toujours utiliser un déshydrateur-filtre et le remplacer fréquemment. Chaque type de réfrigérant doit par ailleurs posséder son propre filtre. Prière d'utiliser le filtre indiqué par notre société afin de garantir le bon fonctionnement de l'appareil. Un déshydrateur-filtre de grande qualité fournira des services de qualité équivalente.
4. Des précautions particulières s'imposent lorsqu'on récupère un réfrigérant à partir d'un système brûlé ; il faut alors deux filtres.
5. L'appareil est équipé d'un coupe-circuit pour la haute pression interne. Si la pression à l'intérieur du système dépasse 38,5 bars, le compresseur coupe automatiquement l'alimentation. Pour relancer le compresseur, prière de faire chuter la pression interne et d'appuyer sur le bouton "Haute Pression (HP)", puis enclencher l'alimentation électrique pour redémarrer le compresseur.

En cas d'amorçage du système de protection haute pression, prière d'en découvrir la cause et de régler le problème avant de relancer l'appareil. Cause(s) du problème de protection de haute pression et dépannage:

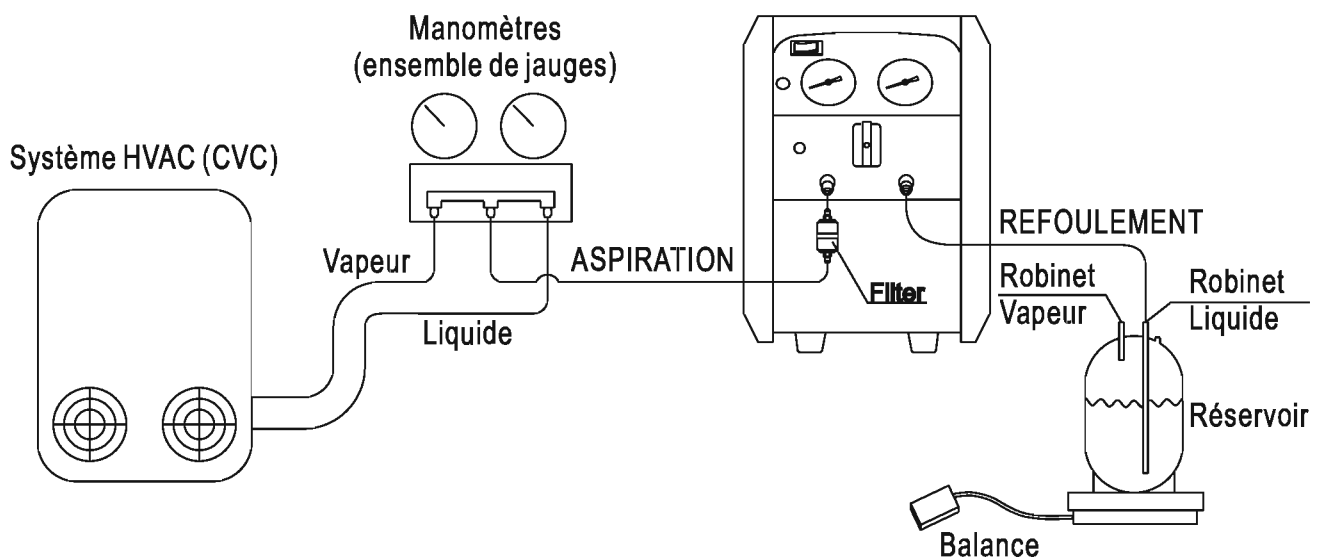
- a. La valve d'aspiration du réservoir de réfrigérant est fermée : son ouverture permet de résoudre le problème.
 - b. Le tuyau raccordant la station de récupération au réservoir de réfrigérant est coincé : fermer toutes les valves et changer ce tuyau.
 - c. La température du réservoir de réfrigérant est trop élevée, ce qui entraîne une pression trop forte – laisser refroidir quelques instants et la pression revient à la normale.
6. Pour contrôler le processus de récupération, une balance électrique doit être utilisée avec la station de récupération.
 7. Pour atteindre une vitesse de récupération maximale, il est recommandé d'utiliser d'un tuyau flexible d'un diamètre interne supérieur à 4 mm et d'une longueur inférieure à 1,5 m.
 8. Utiliser le mode Push/Pull (surpression) pour récupérer de grandes quantités de liquide (cf. Fonctionnement en mode Push/Pull, page 15).
 9. Une fois l'opération de récupération terminée, s'assurer

qu'il ne reste plus de réfrigérant dans l'appareil. Lire attentivement le paragraphe Opération de purge. Le réfrigérant liquide restant dans l'appareil peut fuir et endommager les éléments.

10. En cas d'entreposage ou de non-utilisation de la station pendant un certain temps, nous recommandons de la vider entièrement de tout réfrigérant résiduel et de la purger à l'azote sec.
11. Il est recommandé de raccorder le tuyau à la valve de contrôle pour prévenir toute perte de réfrigérant.
12. La prise d'aspiration est équipée d'un filtre à nettoyer fréquemment pour qu'il reste propre.
13. En cas de difficultés à faire démarrer l'appareil, prière d'orienter l'interrupteur sur la position 2 pour équilibrer la pression interne et faire en sorte que le démarrage soit plus facile.
14. Le manomètre basse pression indique la pression de la prise d'aspiration du compresseur, tandis que le manomètre haute pression indique la pression de la prise de refoulement.
15. Après utilisation, prière de mettre l'interrupteur en position "0".

8. Processus de récupération

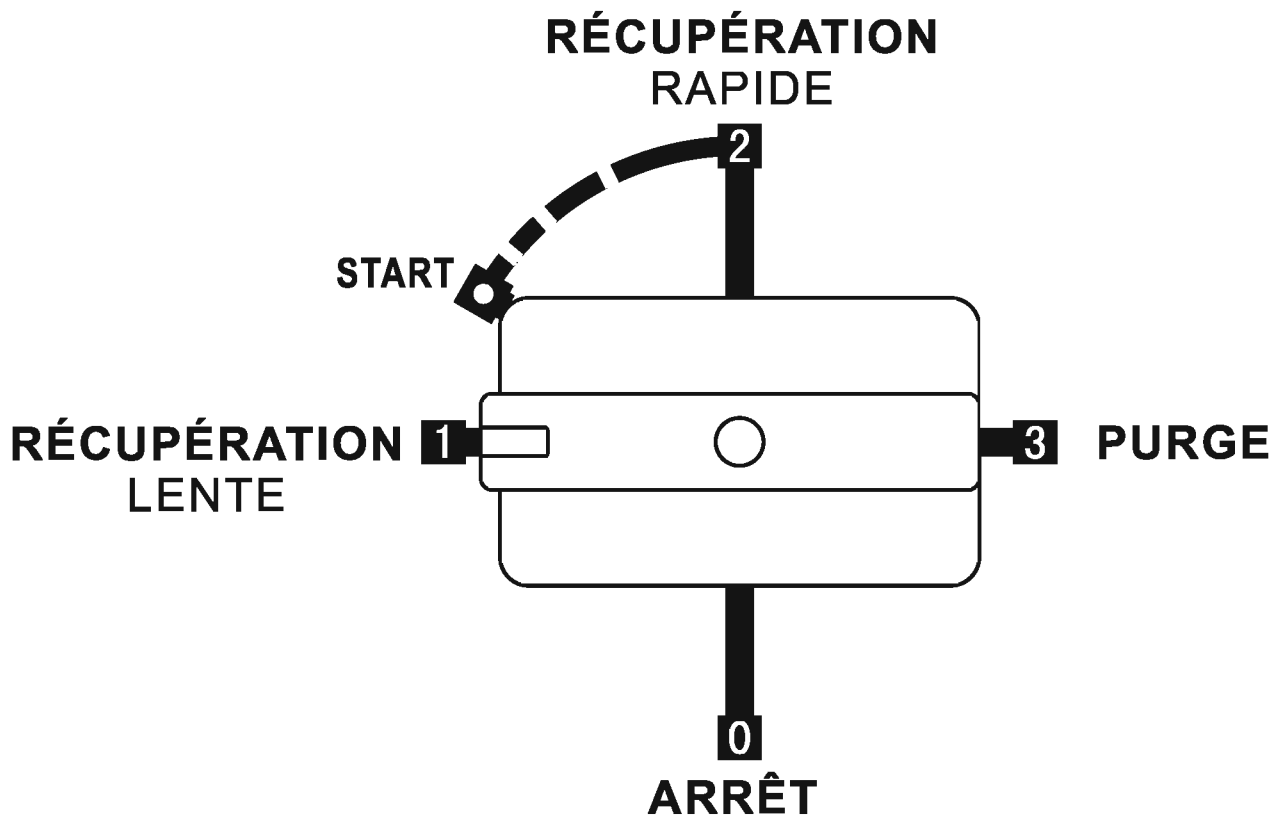
1. Tourner l'interrupteur en position "1".
2. Raccorder les tuyaux correctement et solidement (cf. schéma de connexion).
3. Brancher correctement la station à l'alimentation électrique (comme indiqué sur la plaque signalétique), mettre sous tension pour démarrer l'appareil.
4. Ouvrir le robinet du réservoir de réfrigérant.



5. Ouvrir le robinet Liquide de la jauge.
6. Tourner lentement l'interrupteur en position "2" pour une récupération plus rapide.

N.B. :

- a. Si du liquide passe dans le compresseur lorsque le commutateur est en position 2, basculer lentement sur la position START. La pression affichée sur le manomètre BP va diminuer jusqu'à ce que les à-coups cessent mais la pression devra rester supérieure à "0" afin que l'aspiration ait lieu. Si le démarrage ou redémarrage est difficile après que la machine ait été arrêtée, mettre le commutateur sur la position "START", mettre la machine sous tension et appuyer sur le bouton RESET.
 - b. Lorsque le commutateur est en position 1 et que la machine est en marche, la récupération de fluide frigorigène liquide peut avoir lieu à vitesse lente. Si des à-coups se produisent dans le compresseur lorsque le commutateur est en position 1, tourner lentement en position "START". La pression BP va diminuer jusqu'à ce que les à-coups cessent. La pression doit être maintenue supérieure à "0" afin que l'aspiration ait lieu.
7. Lorsque la récupération du liquide est finie, mettre l'interrupteur en position "2" pour une récupération plus rapide.
 8. La station s'arrête automatiquement lorsque la récupération est terminée ; prière de procéder à présent à la purge.



9. Processus de purge automatique

1. Ne pas couper l'alimentation électrique; tourner l'interrupteur en position "3" pour engager la purge.
2. L'appareil s'arrête automatiquement à la fin de l'opération de purge.
 - a. Fermer le robinet du réservoir de réfrigérant.
 - b. Fermer la valve de contrôle des tuyaux de raccordement.
 - c. Fermer le robinet Liquide et le robinet Vapeur de la jauge.
 - d. Fermer la valve de raccordement entre le système de réfrigérant et la vanne à plusieurs voies.
 - e. Couper l'alimentation électrique et débrancher tous les tuyaux externes.

f. Boucher les prises d'aspiration et de refoulement.

AVERTISSEMENT !

La station de récupération doit être utilisée avec une balance électrique pour surveiller le processus de récupération. Une fois que le siphon mis en marche, il peut submerger le réservoir de récupération même si celui-ci est muni d'un capteur de niveau à flotteur. Le siphon peut continuer même si l'appareil a été mis hors tension. Pour éviter le trop-plein, les robinets du réservoir et l'appareil doivent être fermés à la main.



10. Réfrigérant liquide : mode Push / Pull (surpression)

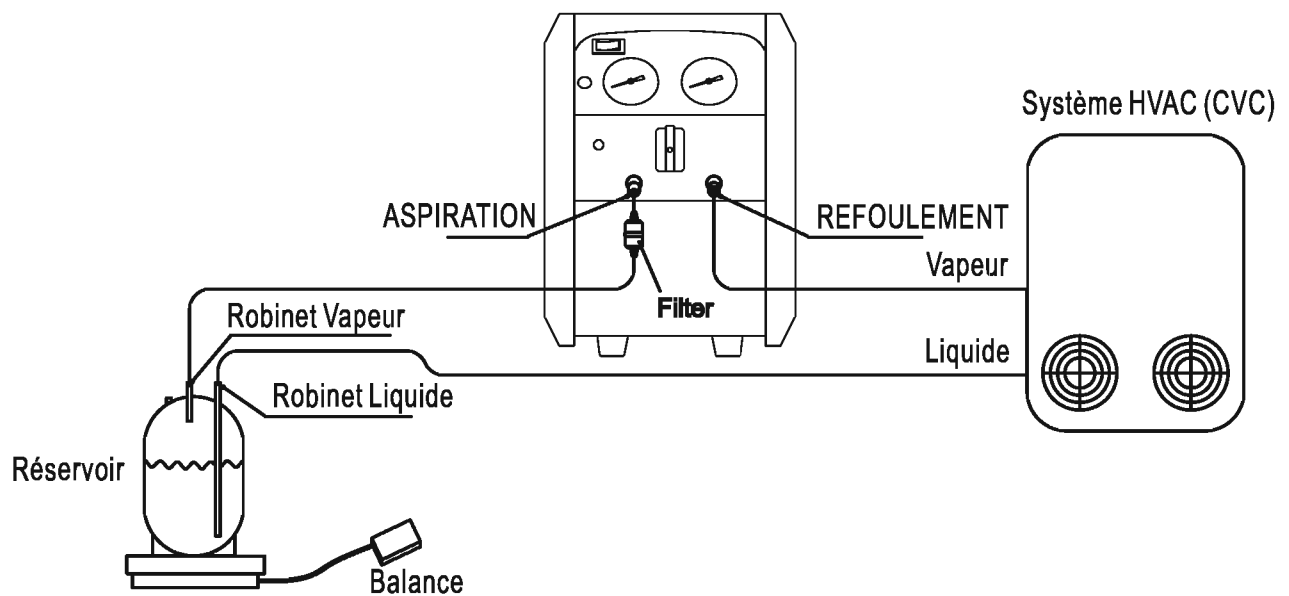
Le mode Push/Pull est recommandé pour récupérer plus de 10 kg de réfrigérant liquide.

AVERTISSEMENT !

La station de récupération doit être utilisée avec une balance électrique pour surveiller le processus de récupération.



1. Tourner l'interrupteur en position "1".
2. Raccorder les tuyaux correctement et solidement (cf. schéma de connexion).
3. Mettre l'appareil sous tension pour le démarrage.



4. Ouvrir le robinet Vapeur et le robinet Liquide du réservoir de réfrigérant.
5. Tourner l'interrupteur en position "2" pour engager la récupération en mode Push/Pull.
6. Si l'affichage de la balance électrique ne change pas ou change très lentement, cela signifie que la récupération du liquide est terminée et qu'il faut à présent récupérer la vapeur. (Les tuyaux doivent être raccordés à nouveau : prière de suivre les instructions énoncées au paragraphe Opération de purge, pour vidanger le réfrigérant gazeux).
7. Fermer le robinet Vapeur du réservoir et couper l'alimentation électrique.
8. Fermer toutes les valves et robinets et débrancher tous les tuyaux externes. Raccorder les tuyaux suivant les instructions énoncées au paragraphe Opération de récupération, pour récupérer le réfrigérant gazeux (vapeur).

9. PURGE

AVERTISSEMENT !



Lorsque l'affichage de la balance électrique indique que le réfrigérant atteint 80% de la capacité du réservoir, prière de mettre le dispositif hors tension et de fermer les robinets du réservoir.

11. FAQ et dépannage

Problème	Origine	Solution
Le ventilateur ne tourne pas	Dégât mécanique	<ol style="list-style-type: none"> 1. Changer le ventilateur 2. Entretien d'usine nécessaire
Le compresseur ne marche pas	<ol style="list-style-type: none"> 1. Désenclenché par la protection haute pression 2. Panne de circuit interne de l'appareil 	<ol style="list-style-type: none"> 1. Diminuer la pression de l'appareil - appuyer sur la touche Haute Pression pour réinitialiser 2. Entretien d'usine nécessaire
Le compresseur ne démarre pas (bloqué)	<ol style="list-style-type: none"> 1. Pression externe excessive 2. Défaillance moteur ou autre élément endommagé 	<ol style="list-style-type: none"> 1. Tourner deux fois l'interrupteur et le pointer sur la position "1", puis redémarrer 2. Entretien d'usine nécessaire
Le compresseur démarre, mais s'arrête au bout de quelques minutes	1. La protection haute pression (due au dysfonctionnement) met l'appareil hors tension, ex. : valve de refoulement fermée, robinet du réservoir de réfrigérant fermé	1. Lire attentivement le mode d'emploi et suivre les consignes durant l'utilisation

Problème	Origine	Solution
Le compresseur démarre, mais s'arrête au bout de quelques minutes	<ul style="list-style-type: none"> 2. Le coupe-circuit moteur arrête le moteur 3. Coupe-circuit arrêté 	<ul style="list-style-type: none"> 2. Laisser un peu de temps au moteur pour qu'il redémarre 3. Refroidir le coupe-circuit et redémarrer au bout de 5 minutes
Faible vitesse de récupération	<ul style="list-style-type: none"> 1. La pression du réservoir de réfrigérant est trop élevée 2. Segment de piston du compresseur endommagé 	<ul style="list-style-type: none"> 2. Refroidir le réservoir peut aider à faire chuter la pression 3. Entretien d'usine nécessaire
Vide insuffisant	<ul style="list-style-type: none"> 1. Raccord de tuyau desserré 2. Fuite sur l'appareil 	<ul style="list-style-type: none"> 1. Serrer les tuyaux de raccordement 2. Entretien d'usine nécessaire

12. Maintenance

1. Les opérations de maintenance de la ENVIRO sont minimales mais importantes.
2. Tenir l'appareil constamment propre en enlevant poussières et huile à l'aide d'un chiffon légèrement humide. Si l'appareil est très sale utiliser un produit de ménage ou un alcool de nettoyage. Faire attention à ne pas introduire d'eau à l'intérieur de l'appareil. Ne pas utiliser de solvant qui pourrait endommager la carrosserie plastique.
3. Nettoyer régulièrement le filtre à particules; celui-ci se trouve sur le bloc des vannes comme montré ci-dessous.
4. Après chaque utilisation, mettre en place les bouchons plastiques sur les raccords d'entrée et de sortie.
5. Changer de temps en temps les tuyaux, au minimum une fois par an.
6. Si la puissance de la ENVIRO diminue dans le temps, il est possible que les clapets du compresseur aient besoin d'être changés. Ceci est normal après une ou deux années d'utilisation. Dans ce cas contacter votre distributeur habituel.

13. Service



NE REMPLACER AUCUN DE CES COMPOSANTS PAR D'AUTRES sinon le fonctionnement et la sécurité peuvent s'en trouver affectés. Les réparations ne peuvent être réalisées que par REFCO ou une société recommandée par REFCO.

14. Recyclage

Pour l'élimination apportez votre ENVIRO à un centre de recyclage officiel.

ISTRUZIONI

ENVIRO

Indice

1. Informazioni generali	1
2. Sicurezza	3
2.1 Qualificazione del personale	4
2.2 Pericoli particolari	5
2.3 Etichette / Contrassegni di sicurezza	8
3. Dati tecnici	9
4. Descrizione dei componenti	10
5. Istruzioni quadro comandi	11
6. Schema elettrico	12
7. Funzionamento	13
8. Metodo di recupero	16
9. Metodo di auto-spurgo	18
10. Funzione Push/Pull	19
11. FAQ e Risoluzione problemi	22
12. Manutenzione	24
13. Struttura	25
14. Riciclaggio	25

1. Informazioni generali

Grazie per aver acquistato l'unità di recupero refrigerante ENVIRO.

ENVIRO coniuga un innovativo sistema di compressione del gas refrigerante con una struttura sagomata e solida, progettata per offrire massima protezione da danni derivanti dal trasporto o dall'utilizzo ordinario.

Seguendo attentamente le istruzioni contenute nel presente manuale, sarà possibile utilizzare ENVIRO a lungo e senza alcun problema.

Sicurezza prima di tutto!



Questo simbolo internazionale, se presente sulla macchina, avverte l'utente della presenza di importanti disposizioni di sicurezza e mantenimento, contenute nel presente manuale. All'interno di quest'ultimo, lo stesso simbolo indica la presenza di punti particolarmente critici. È importante leggere attentamente il presente manuale e familiarizzare con i suoi contenuti prima di utilizzare la macchina!

ENVIRO è un'unità di recupero refrigerante per un'ampia gamma di refrigeranti. I refrigeranti recuperati vengono immagazzinati in una bombola di stoccaggio separata. Ciò prevede un processo di compressione del gas, che genera alta pressione all'interno della macchina, dei tubi di collegamento e della bombola di stoccaggio. I sistemi ad alta pressione devono essere sempre maneggiati con cura e attenzione per prevenire incidenti.

Sicurezza del prodotto:

ENVIRO è stato progettato per soddisfare gli standard **ARI e CEE**.

relativi alle macchine di recupero refrigerante. Se non è reperibile una bombola omologata dotata di un dispositivo di sovra riempimento (overfill), utilizzare sempre una bilancia elettronica omologata per controllare la capacità della bombola. Si devono inoltre utilizzare tubi refrigeranti dotati di valvole shut off, ciascuna collocata a una distanza di 300 mm dalle estremità dei tubi, al fine di ridurre la probabilità di perdita di liquido refrigerante nell'atmosfera, in caso di cambio della bombola o di modifiche apportate in fase di installazione.

Responsabilità:

L'utilizzo dell'ENVIRO è consentito solo a personale altamente qualificato e specializzato nel processo di recupero e nell'utilizzo dell'unità.

L'uso di tale unità da parte di personale non qualificato è fortemente sconsigliato e potenzialmente pericoloso.

- Le istruzioni sono parte integrante del prodotto e devono pertanto essere conservate nei pressi dell'ENVIRO, sempre accessibili al personale specializzato.
- Il personale specializzato deve aver letto attentamente e compreso le istruzioni prima di operare sull'unità.
- Il produttore declina ogni responsabilità per danni derivanti dall'uso improprio, dall'inosservanza delle istruzioni

contenute nel presente manuale, dall'impiego di personale non sufficientemente qualificato o autorizzato o da modifiche apportate all'ENVIRO.

- Sono valide le Condizioni Generali di contratto presenti nella documentazione di vendita.
- Riserva di modifiche tecniche.

Spiegazione dei simboli

PERICOLO!



... indica una situazione potenzialmente pericolosa che può provocare lesioni gravi o morte, se non evitata.

PERICOLO ELETTRICO!



... indica un pericolo di natura elettrica. L'inosservanza delle presenti istruzioni di sicurezza può provocare lesioni gravi o morte.

2. Sicurezza

PERICOLO!



Prima di installare e utilizzare l'unità, assicurarsi che essa non presenti alcun danno. L'inosservanza di tali istruzioni può provocare gravi danni fisici e/o materiali.

**PERICOLO ELETTRICO!**

Pericolo di morte per scossa elettrica.

2.1 cazione del personale**PERICOLO!**

Pericolo di lesioni per impiego di personale non qualificato. L'utilizzo improprio dell'unità può provocare gravi danni personali e materiali.

- Le operazioni descritte nel presente manuale devono essere condotte da personale qualificato, in possesso delle qualificazioni di seguito specificate.
- Tenere lontano il personale non qualificato dalle aree di lavoro pericolose.

Personale qualificato

Il personale qualificato è in grado di eseguire le operazioni descritte e identificare, al tempo stesso, i potenziali pericoli grazie a proprie conoscenze specialistiche e operative.

**LE OPERAZIONI SU QUESTA UNITA' SONO
CONSENTITE SOLO A PERSONALE QUALIFICATO. LA
MAGGIOR PARTE DEGLI STATI RICHIEDE
ALL'UTENTE UNA LICENZA DI UTILIZZO. VERIFICARE
PRESSO LE AUTORITÀ LOCALI PREPOSTE**

2.2 Pericoli particolari



Prima di avviare l'unità, assicurarsi che esso sia adeguatamente messo a terra.
Pericolo di lesioni gravi o morte!



Il cavo elettrico deve essere opportunamente collegato e messo a terra.
Pericolo di lesioni gravi o morte!



Solo un tecnico qualificato può provvedere al collegamento dei cavi elettrici, seguendo gli standard tecnici e lo schema elettrico.
Pericolo di lesioni gravi o morte!



Assicurarsi che l'alimentazione sia spenta prima di esaminare o riparare l'unità di recupero.
Pericolo di lesioni gravi o morte!



Usare solo serbatoi refrigeranti omologati ricaricabili. L'unità richiede l'uso di serbatoi con una pressione minima di recupero di 40 bar (580 psi). Non far straripare il serbatoio.

Il serbatoio è pieno quando ha raggiunto l'80% della sua capacità. È necessario lasciare spazio a sufficienza per l'espansione del liquido. L'eccessivo riempimento del serbatoio può causare una violenta esplosione.



È necessaria una bilancia elettronica per prevenire l'eccessivo riempimento.



È obbligatorio indossare occhiali di protezione e guanti di sicurezza per proteggere la pelle e gli occhi da gas o liquido refrigerante. Evitare ogni contatto con gas o liquido caustico. Pericolo di gravi lesioni!



Assicurarsi che ogni ambiente di lavoro sia adeguatamente ventilato e con un buon ricambio d'aria.



Se si utilizza una prolunga elettrica, essa deve avere un diametro minimo di 1,5 mm²(15 awg) e una lunghezza non superiore a 7,5 m. In caso contrario può verificarsi a un drastico abbassamento di pressione e un conseguente danno al compressore!



La pressione di ingresso (input) dell'unità non deve superare i 26 bar (377 psi).



Mantenere l'unità in posizione orizzontale per evitare vibrazioni, rumore o abrasioni.



Non esporre l'unità al sole o alla pioggia.



PROCEDERE CON CAUTELA NELLE OPERAZIONI ALL'APERTO. Assicurarsi che la prolunga elettrica e l'unità stessa non si trovino in acqua o in aree potenzialmente pericolose. L'ENVIRO è un dispositivo molto sicuro, tuttavia è da evitare l'uso in ambienti non adatti (ad esempio in presenza di precipitazioni o di tempeste di sabbia).

GLI AMBIENTI INFIAMMABILI SONO PERICOLOSI. Durante l'impiego di qualsiasi macchina, i motori e gli interruttori possono provocare scintille.



Il presente impianto deve essere usato in ambienti dotati di ventilazione meccanica, che forniscano un ricambio d'aria di minimo quattro volte all'ora, o deve essere collocato a una distanza minima di circa 50 cm (18") dal pavimento.

NON USARE QUESTO IMPIANTO IN PRESENZA DI SERBATOI DI GASOLIO O DI ALTRO LIQUIDO INFIAMMABILE APERTI O CHE PRESENTINO FUORIUSCITE.



Non bloccare la ventilazione all'apertura dell'unità.



Se il dispositivo di protezione sovraccarico salta, procedere al riposizionamento dopo 5 minuti.

2.3 Etichette / Contrassegni di sicurezza

⚠ SAFETY INSTRUCTIONS

- This unit should be operated only by qualified operators!
- Read all safety, operating guidelines and instructions carefully before starting the unit.
- Always operate the unit with safety goggles and protective gloves.
- Only a refillable recovery tank with a minimum working pressure of 45 bar should be used. In case of 80% O.F.P. a scale must be used to avoid overfilling the recovery tank.

- This equipment should be used in locations with mechanical ventilation providing at least 4 air changes per hour or the equipment should be located at least 50cm above the floor.
- Do not use this equipment in the vicinity of spilled or open containers of gasoline.
- Use a 3-wire extension cord with a minimum cross-section of 1.5mm² and a length of no more than 7.5m, ensure reliable grounding.
- The inlet pressure must not exceed 26 bar.

 REFCO Manufacturing Ltd.
Industriestrasse 11
6285 Hitzkirch - Switzerland

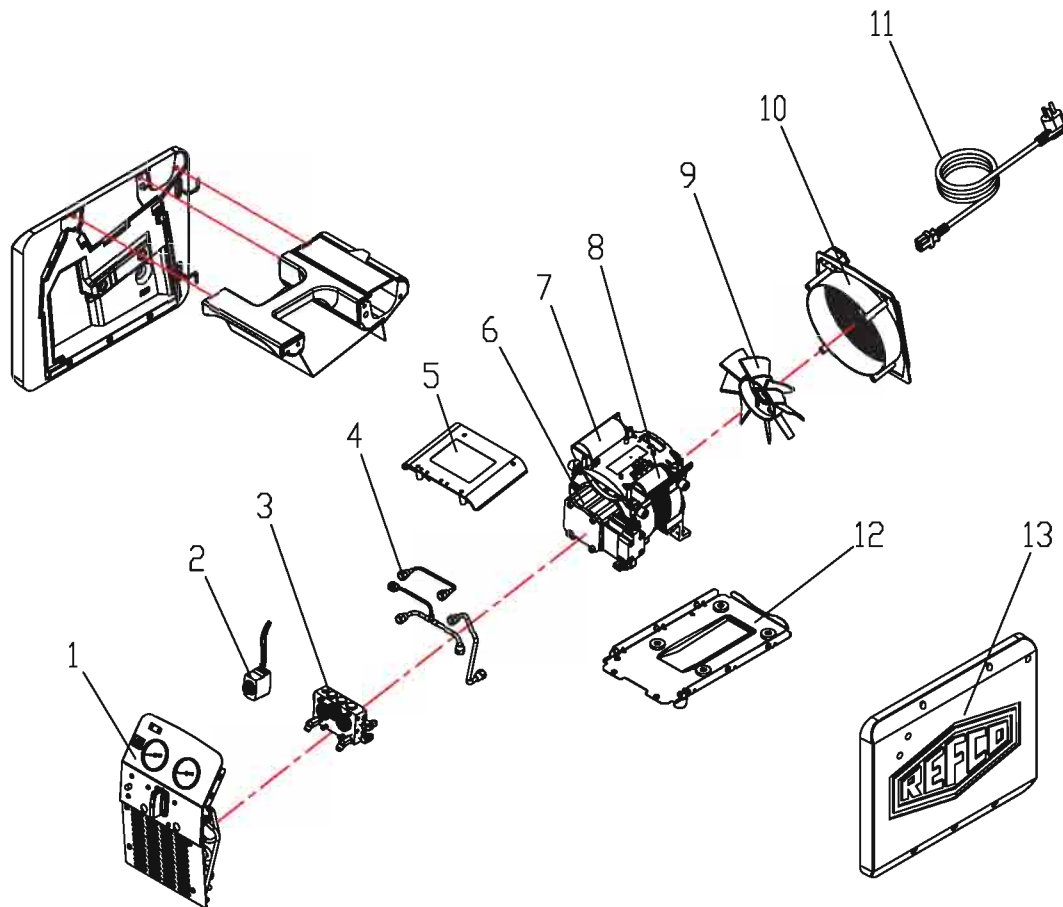
Model: ENVIRO
Item No.: 4686345
Spec.: 230V, 50/60Hz, 0.55kW

Serial No.: CE 

3. Dati tecnici

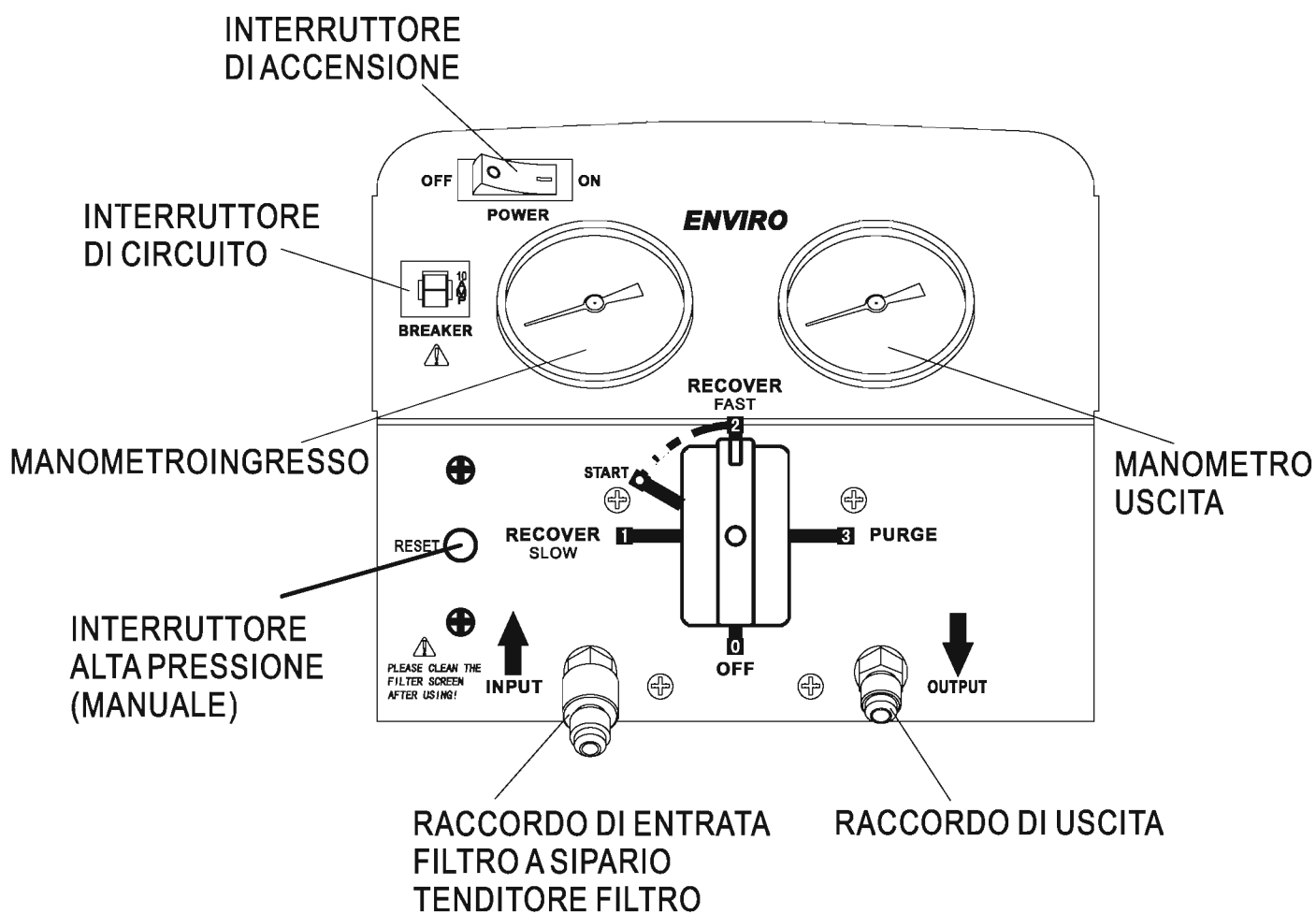
Refrigeranti			
Categoria III	R-12, R-134a, R-401C, R-406A, R-500		
Categoria IV	R-22, R-401A, R-401B, R-402B, R-407C, R-407D, R-408A, R-409A, R-411A, R-411B, R-412A, R-502, R-509		
Categoria V	R-402A, R-404A, R-407A, R-407B, R-410A, R-507		
Alimentazione	220-240VAC 50-60Hz		
Motore	0.55 kW		
Velocità motore	1450rpm@50Hz		
Assorbimento di corrente	5A@50Hz		
Compressore	Raffreddamento senza olio, con pistone		
Protezione alta pressione (pressostato di massima)	38.5bar/3850kPa (558psi)		
Velocità di recupero	Categoria III	Categoria IV	Categoria V
Gas	0.30 Kg/min	0.38 Kg/min	0.50 Kg/min
Liquido	2.00 Kg/min	2.20 Kg/min	2.30 Kg/min
Push/Pull	4.60 Kg/min	5.60 Kg/min	6.30 Kg/min
Temperatura d'esercizio	0°C-40°C/32-104°F		
Dimensioni	400mm(I)×250(L)mm×345mm(A)		
Peso netto	14.5kg		

4. Descrizione dei componenti

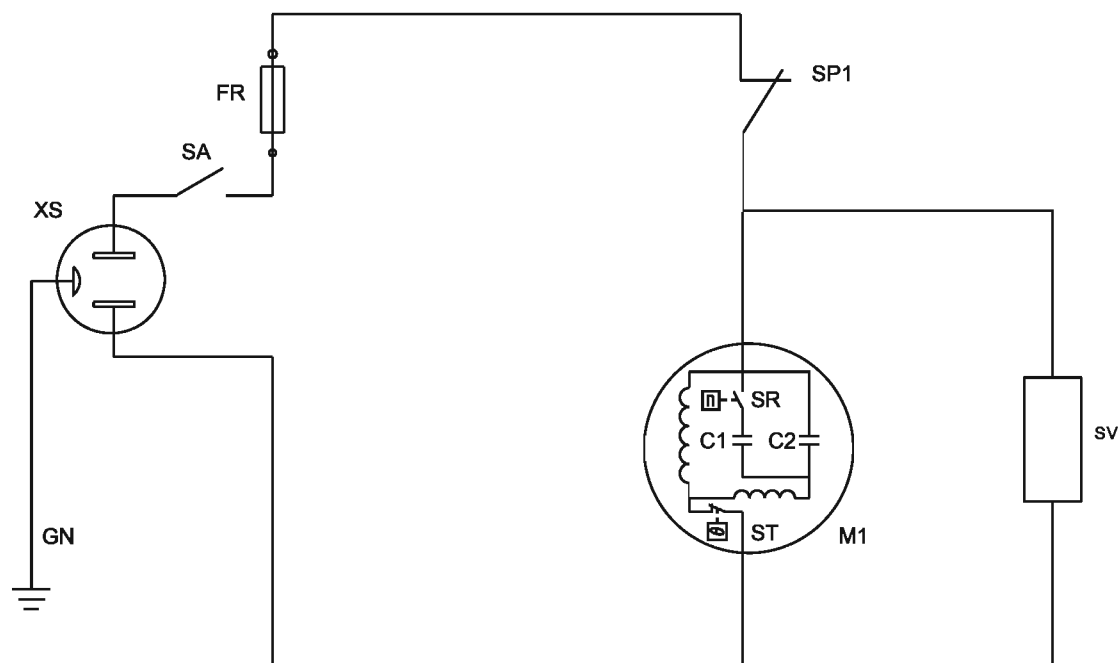


N.	Componente	N.	Componente
1	Pannello frontale	8	Condensatore di avviamento
2	Elettrovalvola	9	Ventola
3	Valvola di controllo	10	Copertura ventola
4	Tubi di rame	11	Cavo di alimentazione
5	Copertura cassetta di derivazione	12	Base
6	Compressore	13	Copertura in plastica
7	Condensatore in funzione		

5. Istruzioni quadro comandi



6. Schema elettrico



Elemento	Codici grafici	DESCRIZIONE	OSSERVAZIONI
1	XS	Preso di corrente	
2	SA	Interruttori	
3	FR	Dispositivo protezione sovraccarico	
4	SP1	Apparecchiatura di manovra ad alta pressione	
5	M1	Motore del compressore	
6	SV	Valvola elettromagnetica	

7. Funzionamento

1. Non mescolare refrigeranti diversi in uno stesso serbatoio; poiché essi non sarebbero più separabili o utilizzabili.
2. L'interruttore deve trovarsi in “Posizione 0” prima dell'utilizzo. Quando l'unità non è in funzione, tutte le valvole devono essere chiuse, e i raccordi di entrata e di uscita coperti con i loro cappucci di protezione. L'aria e l'umidità possono danneggiare le prestazioni di recupero e ridurre la durata dell'unità.
3. Usare sempre un filtro deidratatore e sostituirlo frequentemente. Ogni tipo di refrigerante deve essere dotato del proprio filtro apposito. Al fine di assicurare un buon funzionamento dell'unità, si consiglia di utilizzare il filtro autorizzato dall'azienda produttrice. Filtri deidratatori di elevata qualità, garantiscono servizi di elevata qualità.
4. Prestare particolare attenzione al recupero di un sistema “bruciato”. In questo caso sono necessari due filtri deidratatori.

L'unità è dotata di un dispositivo interno di arresto automatico di alta pressione (pressostato di massima). Se la pressione all'interno del sistema supera i 38,5 bar, il compressore disattiverà automaticamente l'alimentazione elettrica. Per riavviare il compressore, ridurre la pressione interna e premere l'interruttore alta pressione. Successivamente, ripristinare l'alimentazione elettrica, per riavviare il compressore.

Se si avvia il pressostato, identificare la causa e provare a risolvere il problema.

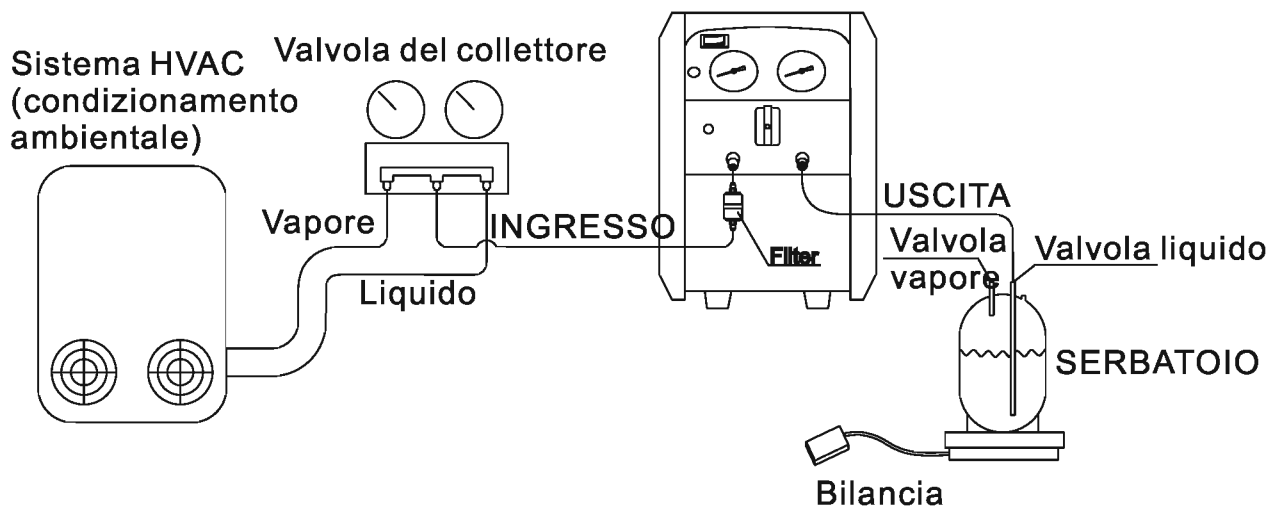
Possibili cause di avvio del pressostato e possibile soluzione dei problemi:

- a. La valvola di ingresso (input) del serbatoio refrigerante è chiusa – aprire la valvola per risolvere il problema.
 - b. Il tubo di collegamento tra l'unità di recupero e il serbatoio refrigerante è ostruito – chiudere tutte le valvole e sostituire il tubo di collegamento.
 - c. La temperatura del serbatoio refrigerante è troppo alta a causa dell'elevata pressione, lasciar raffreddare e la pressione tornerà ai valori normali.
5. È necessaria una bilancia elettronica da usare insieme all'unità, per monitorare il processo di recupero.
 6. Per ottenere la velocità massima di recupero, si raccomanda l'uso di un tubo con un diametro interno maggiore di 4 mm e di lunghezza inferiore a 1.5 m.
 7. Per recuperare grandi quantità di liquido, usare la funzione Push/Pull.
 8. Dopo il recupero, assicurarsi che non ci sia traccia di refrigerante nell'unità. Leggere attentamente il Metodo diauto-spurgo. Le tracce di liquido refrigerante potrebbero espandersi e danneggiare i componenti.
 9. In previsione di un lungo periodo di inattività o se l'unità deve essere riposta, evacuare l'unità da ogni residuo di refrigerante e ripulirla con azoto secco.

10. Si raccomanda l'uso del tubo di connessione dotato di valvola shut off, al fine di prevenire la perdita di liquido refrigerante.
11. Il raccordo di entrata è dotato di un filtro a sipario: è consigliabile pulire il filtro frequentemente.
12. Se non si riesce ad avviare l'unità, ruotare l'interruttore di due giri completi per bilanciare la pressione interna e facilitare il procedimento di attivazione.
13. Il manometro per la bassa pressione misura la pressione del raccordo di entrata; il manometro per l'alta pressione misura la pressione del raccordo di uscita.
14. Dopo l'uso, riportare l'interruttore su "0".

8. Metodo di recupero

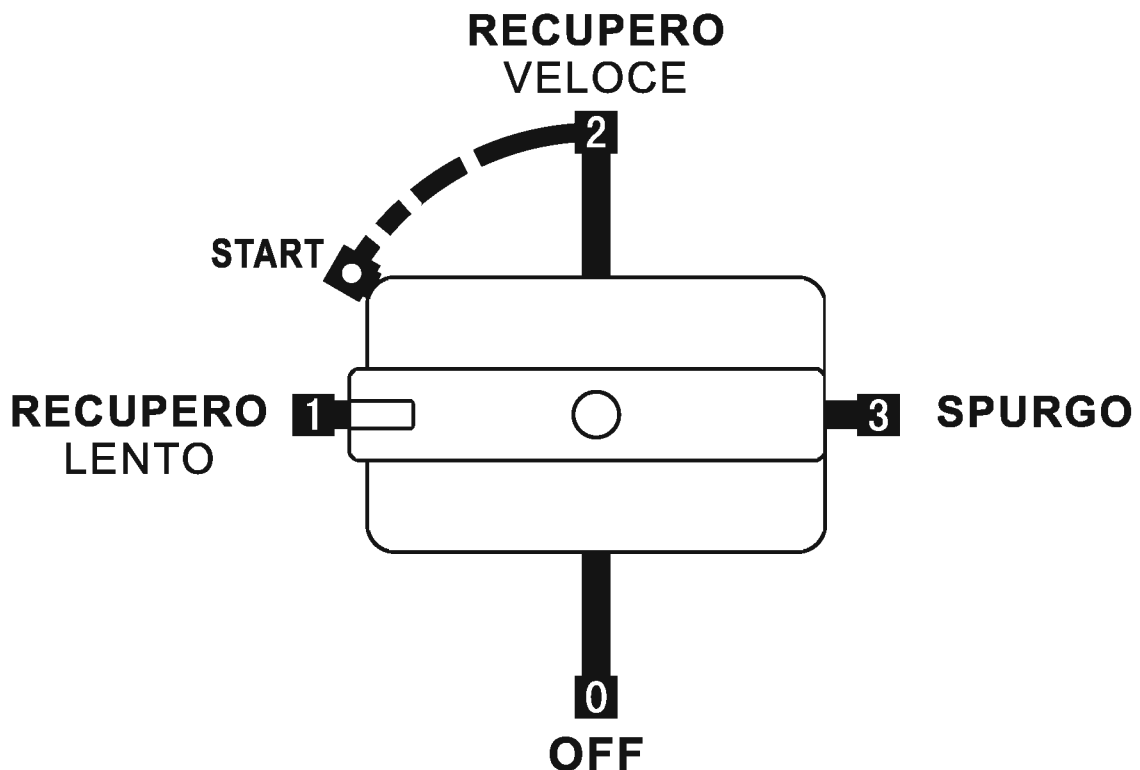
1. Posizionare l'interruttore su "1".
2. Collegare correttamente e saldamente i tubi. (Vedere schema di connessione)
3. Collegare l'unità all'impianto di alimentazione corretto (come mostrato sulla targhetta identificativa). Attivare l'alimentazione elettrica per avviare l'unità.
4. Aprire la valvola del serbatoio refrigerante.



5. Aprire la valvola del collettore.
6. Posizionare lentamente l'interruttore su "2" per un recupero più veloce.

Attenzione:

- a. In caso il compressore batte, mentre posta la posizione "2", dirigere l'interruttore gradualmente in posizione "Start". Dopodiché l'indicatore di bassa pressione calerà finché il battito cessa. Per far modo che il recupero possa riiniziare, porgere attenzione alla pressione, la quale dovrà indicare al disopra dello "0". Se una volta spenta l'unità, non si riaccende, mettere l'interruttore su "START", poi rimettere in moto l'unità e premere "RESET".
 - b. L'unità è in grado di recuperare costante a bassa velocità. In caso di battito mentre posta la posizione "1", dirigere l'interruttore progressivamente in posizione "Start". Dopodiché l'indicatore di bassa pressione calerà finché il battito cessa. Per far modo che il recupero possa riiniziare, porgere attenzione alla pressione, la quale dovrà indicare al disopra dello "0".
7. Una volta terminato il recupero liquido, posizionare l'interruttore su "2" per un recupero più veloce.
 8. L'unità si fermerà automaticamente una volta terminato il recupero. Effettuare ora l'operazione di spurgo.



9. Metodo di auto-spurgo

1. Non disattivare l'alimentazione; posizionare l'interruttore su "3" per iniziare lo spurgo.
2. L'unità si fermerà automaticamente una volta terminato lo spurgo.
 - a. Chiudere la valvola del serbatoio refrigerante.
 - b. Chiudere la valvola shut off dei tubi di collegamento.
 - c. Chiudere la valvola del liquido e la valvola del gas del collettore.
 - d. Chiudere la valvola di connessione tra il sistema di refrigerazione e la valvola del collettore.
 - e. Disattivare l'alimentazione elettrica e disconnettere tutti i tubi esterni.
 - f. Avvitare i tappi di protezione sui raccordi di entrata e uscita.

PERICOLO!

Dopo ogni utilizzo l'unità deve essere sottoposta a spurgo: assicurarsi che non ci siano tracce di refrigerante nell'unità. Il liquido refrigerante potrebbe espandersi e danneggiare i componenti.

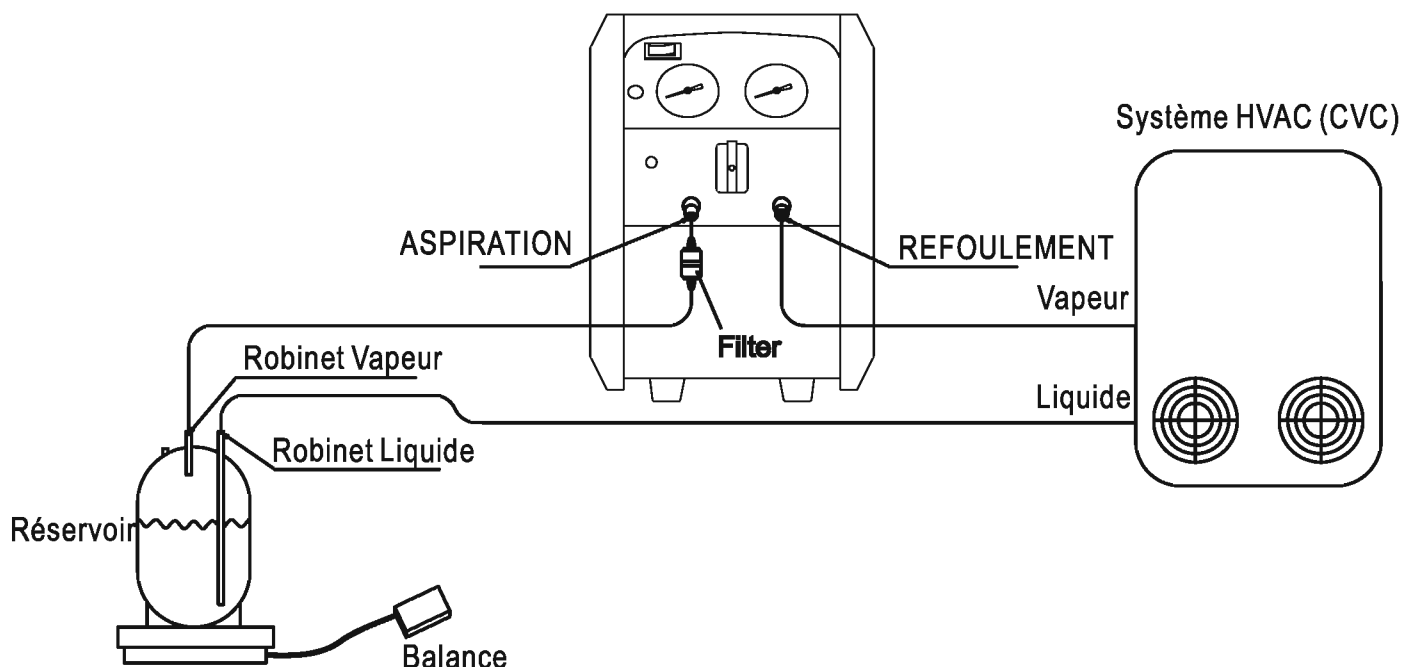
10. Funzione Push/Pull

È necessario usare una bilancia elettronica insieme all'unità di recupero, per monitorare il procedimento. Una volta avviato il sifone, questo può continuare a far straripare il serbatoio di recupero, anche se questo è dotato di un sensore a galleggiante. Il sifone può continuare anche a macchina spenta. È necessario chiudere manualmente le valvole del serbatoio e spegnere l'unità per evitare un riempimento eccessivo del serbatoio di recupero.

PERICOLO!

È necessario usare una bilancia elettronica insieme all'unità di recupero, per monitorare il procedimento. Una volta avviato il sifone, questo può continuare a far straripare il serbatoio di recupero, anche se questo è dotato di un sensore a galleggiante. Il sifone può continuare anche a macchina spenta. È necessario chiudere manualmente le valvole del serbatoio e spegnere l'unità per evitare un riempimento eccessivo del serbatoio di recupero.

1. Posizionare l'interruttore su "1".
2. Collegare correttamente e saldamente i tubi (Vedere schema di connessione).
3. Avviare l'alimentazione elettrica per avviare l'unità.



4. Aprire la valvola gas e la valvola liquido del serbatoio refrigerante.
5. Posizionare l'interruttore su "2" per avviare la funzione di recupero Push/Pull.
6. Quando i valori della bilancia elettronica restano invariati o cambiano molto lentamente, il recupero liquido è terminato e si deve iniziare con il recupero gas.
(I tubi devono essere ricollegati: seguire le istruzioni per lo spurgo.)

7. Chiudere la valvola gas del serbatoio refrigerante e disattivare l'alimentazione elettrica.
8. Chiudere tutte le valvole e scollegare tutti i tubi esterni. Collegare i tubi secondo le istruzioni per il recupero del gas refrigerante.
9. Procedere allo SPURGO

PERICOLO!

Se la bilancia elettronica mostra che il refrigerante nel serbatoio ha raggiunto l'80% della capacità, disattivare l'alimentazione elettrica e chiudere le valvole del serbatoio.

11. FAQ e Risoluzione problemi

Problema	Cause	Azione
La ventola non funziona	Danno meccanico	<ol style="list-style-type: none"> 1. Sostituire la ventola 2. È richiesto un servizio di assistenza.
Il compressore non funziona	<ol style="list-style-type: none"> 1. Il pressostato di massima è intervenuto 2. Guasto interno in linea 	<ol style="list-style-type: none"> 1. Ridurre la pressione dell'unità - premere l'interruttore alta pressione per effettuare il reset 2. È richiesto un servizio di assistenza.
Il compressore non si avvia (bloccato)	<ol style="list-style-type: none"> 1. La pressione esterna è troppo elevata 2. Guasto al motore o a un altro componente. 	<ol style="list-style-type: none"> 1. Ruotare l'interruttore di due giri, posizionarlo su "1" e riavviare l'unità. 2. È richiesto un servizio di assistenza.
Il compressore parte ma si blocca dopo pochi minuti	<ol style="list-style-type: none"> 1. Il pressostato di massima è intervenuto in seguito a un'operazione sbagliata e ha spento l'unità: ad esempio valvola di uscita chiusa, valvola del serbatoio refrigerante chiusa. 2. Il dispositivo di protezione sovraccarico del motore blocca quest'ultimo 	<ol style="list-style-type: none"> 1. Leggere attentamente il manuale e seguire le istruzioni durante l'operazione. 2. Attendere prima di riavviare il motore.

Problema	Cause	Azione
Il compressore parte ma si blocca dopo pochi minuti	3. L'interruttore di circuito spegne l'unità.	3. Raffreddare il cavo di circuito e riavviare l'unità dopo 5 minuti.
Il recupero è troppo lento	1. La pressione del serbatoio refrigerante è troppo elevata. 2. Le guarnizioni di tenuta del compressore sono logore.	1. Raffreddare il serbatoio può aiutare a ridurre la pressione. 2. È richiesto un servizio di assistenza
L'unità non riesce ad andare in vuoto	1. I tubi di collegamento sono allentati. 2. Presenza di una perdita nell'unità.	1. Stringere i tubi di collegamento. 2. È richiesto un servizio di assistenza.

12. Manutenzione

1. I requisiti effettivi di manutenzione per la ENVIRO sono minimi ma importanti.
2. Pulire regolarmente l'unità con un panno umido per rimuovere accumuli di sporco, grasso, ecc. , prima di riporla al termine delle operazioni giornaliere. Se l'unità è particolarmente sporca, si può usare un normale detergente per uso domestico o alcool isopropilico: in tutti casi prestare attenzione ad evitare l'infiltrazione di liquidi all'interno dell'unità. Evitare benzina e altri solventi in quanto queste sostanze, oltre ad essere pericolose, possono danneggiare il telaio di plastica.
3. Pulire regolarmente il filtro d'entrata. Smontare il filtro come disegnato sotto.
4. Assicurarsi che dopo ogni uso dell'apparechio, i tappi di protezioni siano avvitati ai raccordi.
5. Sostituire periodicamente i tubi flessibili e almeno una volta per stagione.
6. Quando si verifica una riduzione delle prestazioni, è possibile che sia necessario sostituire le guarnizioni del compressore. Questo è normale con l'uso, e può verificarsi dopo un anno o due, secondo le condizioni presenti durante le operazioni di recupero. Rivolgersi al rivenditore per ottenere l'assistenza nella selezione del kit di manutenzione adeguato.

13. Strutture

NON CAMBIARE nessuno di questi componenti per evitare di compromettere la sicurezza della ENVIRO.

Per mantenere integri i livelli di sicurezza e non invalidare la garanzia, tutti gli eventuali interventi d'assistenza devono essere effettuati presso una struttura autorizzata della REFCO.

14. Riciclaggio

Il corretto smaltimento, si prega di portare la ENVIRO un luogo ufficiale di riciclaggio.

INSTRUCCIONES DE USO

ENVIRO

Índice


1. Información general.....	1
2. Seguridad.....	3
2.1 Cualificación del personal.....	4
2.2 Peligros especiales.....	5
2.3 Rótulos / Etiquetas de seguridad.....	8
3. Especificaciones técnicas.....	9
4. Descripción de componentes.....	10
5. Instrucciones del panel de control.....	11
6. Esquema eléctrico.....	12
7. Funcionamiento.....	13
8. Método de recuperación.....	15
9. Método de auto-purga.....	18
10. Modo Push / Pull de recuperación de líquido.....	19
11. Preguntas frecuentes y solución de problemas ...	21
12. Mantenimiento.....	23
13. Reparación.....	24
14. Reciclaje.....	24

1. Información general

Gracias por adquirir la máquina de recuperación de refrigerante ENVIRO.

ENVIRO combina un innovador sistema de compresión de gas refrigerante con una robusta carcasa moldeada que está diseñada para ofrecer la máxima protección contra todo tipo de daños durante el transporte y el manejo habitual. Con un uso correcto y teniendo en cuenta los cuidados que se describen en este manual, su ENVIRO le proporcionará un funcionamiento adecuado durante años.

¡La seguridad es lo primero!

 Cuando aparezca en la máquina, este símbolo internacional tiene la función de alertar al usuario de la presencia de instrucciones importantes de manejo, seguridad y mantenimiento (puesta a punto) en este manual. Al igual que en el manual, su objetivo es llamar su atención sobre aspectos esenciales.

¡Antes de utilizar la máquina, es importante leer todo el manual y estar familiarizado con su contenido!

El ENVIRO es una máquina de recuperación para una amplia gama de refrigerantes. Recuperar refrigerantes en un cilindro de almacenamiento independiente implica un proceso de compresión de gas que produce altas presiones dentro de la máquina, las mangueras de conexión y el cilindro de almacenamiento. Los sistemas de alta presión deben manejarse siempre con cuidado y precaución para prevenir accidentes debidos a un uso negligente.

Seguridad del producto:

ENVIRO ha sido diseñado para cumplir la normativa estándar **ARI** y **CE** para máquinas de recuperación de refrigerante.

Si no dispone de un cilindro homologado de protección contra sobrellenado, emplee siempre una balanza homologada para controlar la capacidad del cilindro. Además, es necesario emplear mangueras refrigerantes homologadas que cuenten con una válvula de cierre en las últimas 300 mm de cada extremo para reducir la posibilidad de escape de refrigerante a la atmósfera durante el cambio de cilindro o las modificaciones en el montaje.

Responsabilidad:

Solamente puede manejar el ENVIRO un técnico cualificado que haya recibido la formación adecuada en el uso y cuidado de este tipo de equipos y en el proceso de recuperación.

El uso de este equipo por parte de personal no cualificado supone un peligro potencial y debe ser evitado.

- Este manual de instrucciones de uso forma parte del producto y ha de almacenarse cerca del ENVIRO para que el personal cualificado pueda acceder a él rápidamente siempre que sea necesario.
- El personal cualificado ha de leer detenidamente las instrucciones de uso y entenderlas correctamente antes de manejar el dispositivo.

- El fabricante no asume responsabilidad alguna por daños de cualquier tipo debido a uso indebido, a no tener en cuenta las instrucciones de este manual, al empleo por parte de personal no cualificado o a cualquier modificación no autorizada del ENVIRO.
- Se aplicarán los términos y condiciones generales que se especifican en la documentación de venta.
- Nos reservamos el derecho a realizar modificaciones técnicas.

Explicación de los símbolos

¡ADVERTENCIA!



... indica una situación potencialmente peligrosa que puede conducir a lesiones graves o a la muerte si no se evita.

¡PELIGRO!



... indica peligro eléctrico. Si no se tienen en cuenta estas indicaciones de seguridad existe el peligro de lesiones graves o mortales.

2. Seguridad

¡ADVERTENCIA!



Antes de instalar y usar el equipo, asegúrese de que no muestre ningún tipo de daño. De no hacerlo pueden producirse graves lesiones físicas y/o daños materiales.

**¡PELIGRO!**

Peligro de muerte por electrocución.

2.1 Cualificación del personal

**¡ADVERTENCIA!**

¡Peligro de lesiones debido a manejo por personal no cualificado!

Un uso inadecuado del equipo puede producir graves daños físicos y materiales.

- Las actividades descritas en este manual sólo deben realizarse por personal especializado con la cualificación descrita a continuación.
- Mantenga al personal no cualificado lejos de las zonas de peligro.

Personal especializado

El personal especializado son aquellos trabajadores que, gracias a su formación especializada y a sus conocimientos en el manejo de la máquina de recuperación, son capaces de desempeñar las tareas descritas y de reconocer por sí mismos los posibles peligros.

ESTE EQUIPO SÓLO DEBE SER MANEJADO POR PERSONAL DE SERVICIO CUALIFICADO. LA MAYORÍA DE ESTADOS, PAÍSES, ETC. PUEDEN EXIGIR QUE EL USUARIO CUENTE CON UNA LICENCIA. POR FAVOR, COMPRUÉBELO CON LA AGENCIA GUBERNAMENTAL COMPETENTE.

2.2 Peligros especiales



Antes de encender el equipo, asegúrese de que está bien conectado a tierra.
¡Peligro de lesiones graves o muerte!



Cuando se use el cable eléctrico, el cable ha de estar bien conectado y con conexión a tierra.
¡Peligro de lesiones graves o muerte!



Sólo un electricista cualificado debe realizar la conexión de los cables siguiendo los estándares técnicos y el esquema eléctrico.
¡Peligro de lesiones graves o muerte!



Asegúrese de que el equipo esté apagado antes de examinar o reparar la unidad de recuperación.
¡Peligro de lesiones graves o muerte!



Emplee solo tanques de refrigerante rellenables autorizados. El equipo necesita tanques de recuperación con una presión de trabajo mínima de 40 bar (580 psi). No llene en exceso el tanque de recuperación. El tanque se llena al alcanzar el 80% de su capacidad. Es necesario que quede espacio suficiente para la expansión del líquido. Llenar en exceso el tanque puede provocar una explosión violenta.



Para prevenir el sobrellenado es necesario emplear una balanza eléctrica.



Es obligatorio llevar guantes de seguridad y gafas protectoras mientras se trabaja con refrigerantes para evitar el contacto del gas y el líquido refrigerante con la piel y los ojos. Evite cualquier contacto con gas o líquido cáustico.
¡Peligro de lesiones graves!



Asegúrese de que todas las habitaciones en las que se trabaje estén convenientemente ventiladas.



Si se usa un cable alargador, este debe ser de un mínimo de 1,5mm² y no superar los 7,5 m de longitud. ¡De no ser así el voltaje podría reducirse y dañar el compresor!



La presión de entrada de la unidad no debe exceder los 26 bar (377 psi).



Mantenga la unidad en posición horizontal; de no hacerlo pueden producirse vibraciones inesperadas, ruidos o abrasiones.



Evite exponer el equipo al sol o a la lluvia.



TENGA CUIDADO AL TRABAJAR AL AIRE LIBRE. Asegúrese de que el cable de alimentación, el cable de seguridad del cilindro y el equipo en sí no se encuentren sobre agua o en algún otro lugar potencialmente peligroso. A pesar de que el manejo del ENVIRO es muy seguro, debe evitarse su uso en situaciones de lluvia copiosa o tormentas de arena.



LAS ATMÓSFERAS INFLAMABLES SON PELIGROSAS siempre que se emplee cualquier máquina, ya que los motores y los interruptores pueden generar chispas. Este equipo debe utilizarse en lugares con una ventilación mecánica que proporcione al menos cuatro cambios de aire por hora o debe situarse a un mínimo de 50 cm' por encima del suelo. **NO USE ESTE EQUIPO SI HAY CERCA GASOLINA DERRAMADA O CONTENEDORES DE GASOLINA O CUALQUIER OTRO LÍQUIDO INFLAMABLE.**



No bloquee la salida de ventilación de la unidad.



Si se salta el protector contra sobrecargas, vuelva a colocarlo en posición pasados 5 minutos.

2.3 Rótulos / Etiquetas de seguridad

⚠ SAFETY INSTRUCTIONS

- This unit should be operated only by qualified operators!
- Read all safety, operating guidelines and instructions carefully before starting the unit.
- Always operate the unit with safety goggles and protective gloves.
- Only a refillable recovery tank with a minimum working pressure of 45 bar should be used. In case of 80% O.F.P. a scale must be used to avoid overfilling the recovery tank.

- This equipment should be used in locations with mechanical ventilation providing at least 4 air changes per hour or the equipment should be located at least 50cm above the floor.
- Do not use this equipment in the vicinity of spilled or open containers of gasoline.
- Use a 3-wire extension cord with a minimum cross-section of 1.5mm² and a length of no more than 7.5m, ensure reliable grounding.
- The inlet pressure must not exceed 26 bar.

 REFCO Manufacturing Ltd.
Industriestrasse 11
6285 Hitzkirch - Switzerland

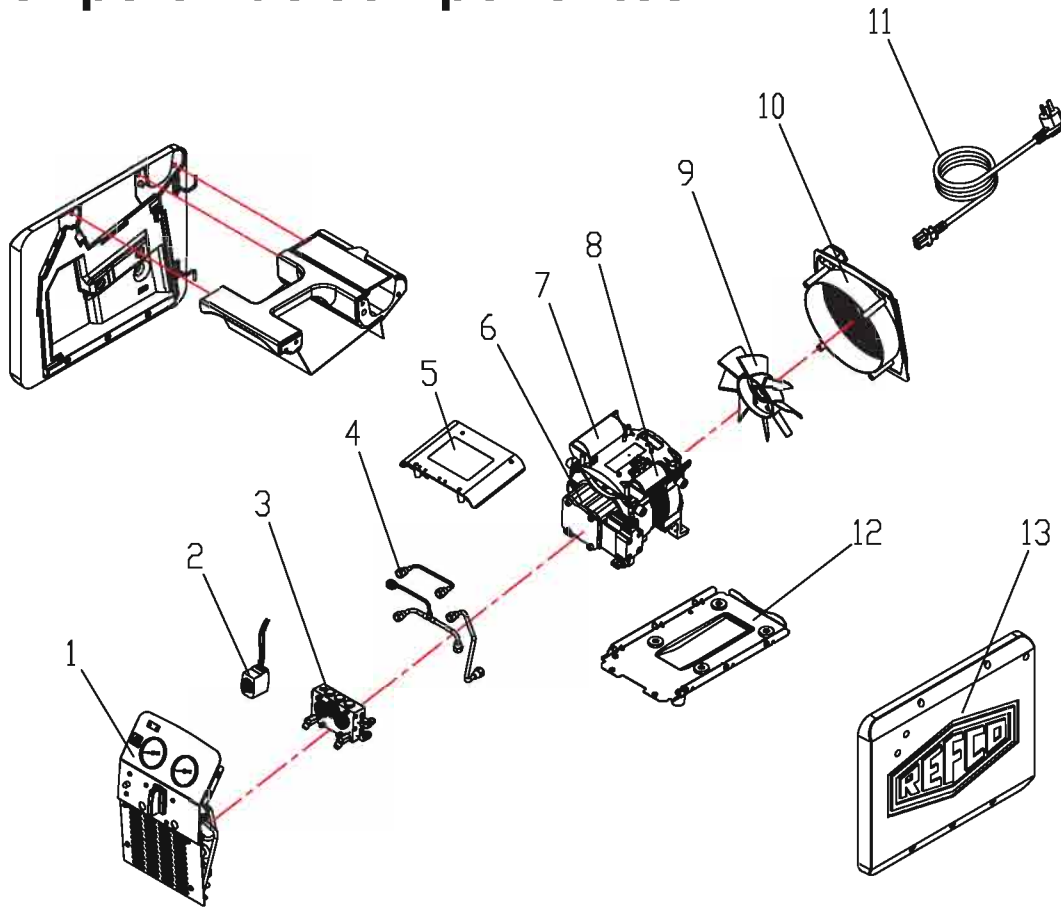
Model: ENVIRO
Item No.: 4886345
Spec.: 230V, 50/60Hz, 0.55kW

Serial No.: 

3. Especificaciones técnicas

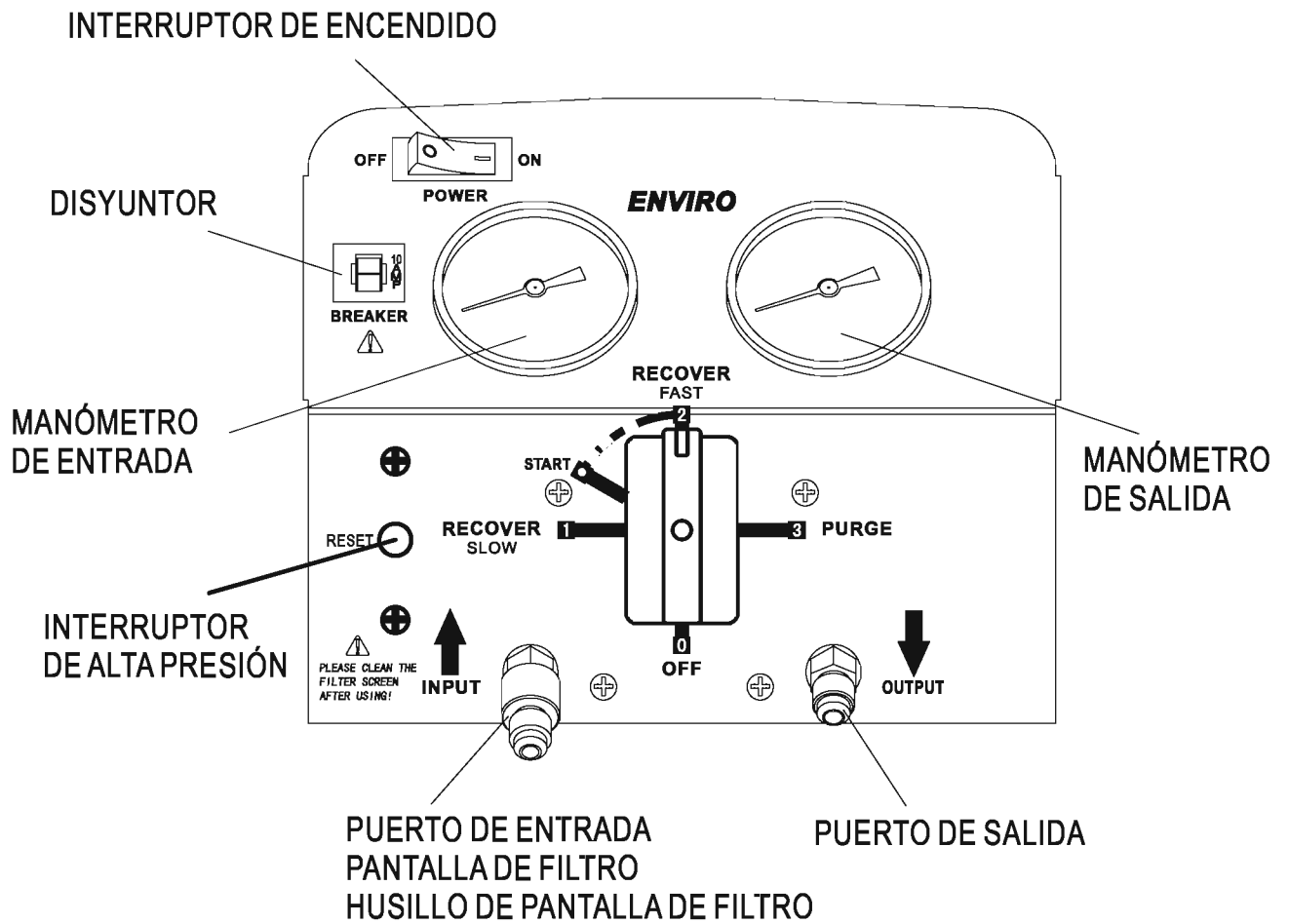
Refrigerantes			
Categoría III	R-12, R-134a, R-401C, R-406A, R-500		
Categoría IV	R-22, R-401A, R-401B, R-402B, R-407C, R-407D, R-408A, R-409A, R-411A, R-411B, R-412A, R-502, R-509		
Categoría V	R-402A, R-404A, R-407A, R-407B, R-410A, R-507		
Voltaje	220-240VAC 50-60Hz		
Motor	0.55 kW		
Velocidad del motor	1450rpm@50Hz		
Corriente	5A@50Hz		
Compressor	Sin aceite, refrigerado por aire, tipo pistón		
Protección de alta presión	38.5bar/3850kPa (558psi)		
Tasa de recuperación	Categoría III	Categoría IV	Categoría V
Gas	0.30 Kg/min	0.38 Kg/min	0.50 Kg/min
Líquido	2.00 Kg/min	2.20 Kg/min	2.30 Kg/min
Modo Push/Pull	4.60 Kg/min	5.60 Kg/min	6.30 Kg/min
Temperatura ambiente	0°C-40°C/32-104°F		
Dimensiones	400mm(largo)×250(ancho)mm ×345mm(alto)		
Peso neto	14.5kg		

4. Descripción de componentes

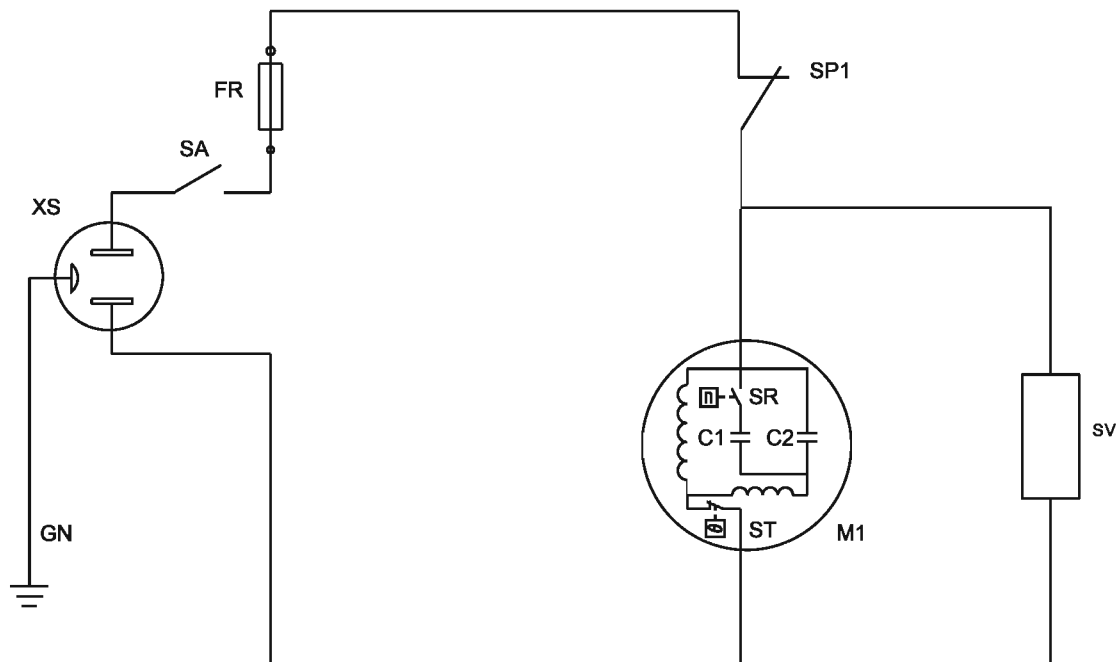


Nº	Componente	Nº	Componente
1	Panel frontal	8	Condensador de arranque
2	Válvula magnética	9	Ventilador
3	Válvula de control	10	Cubierta del ventilador
4	Tubos de cobre	11	Cable de alimentación
5	Cubierta de la caja de conexiones	12	Base
6	Compresor	13	Cubierta de plástico
7	Condensador de marcha		

5. Instrucciones del panel de control



6. Esquema eléctrico



PIEZA	Código de esquema	DESCRIPCION	NOTAS
1	XS	Toma de corriente	
2	SA	Interruptores	
3	FR	Dispositivo de protección contra sobrecargas	
4	SP1	Dispositivo de interrupción de alta presión	
5	M1	Motor del compresor	
6	SV	Válvula magnética	

7. Funcionamiento

1. No mezcle diferentes refrigerantes en un solo tanque, ya que no podrían ser separados o usados.
2. El mando debe estar en “Posición 0” antes de usar. Todas las válvulas han de estar cerradas y los racores de entrada y salida han de estar cubiertos con cápsulas protectoras cuando la unidad no esté en funcionamiento. La humedad del aire perjudica los resultados de la recuperación y acortará la vida de la unidad.
3. Utilice siempre un filtro deshidratador y sustitúyalo con frecuencia. Cada tipo de refrigerante debe tener su propio filtro. Para asegurar el funcionamiento normal del equipo utilice los filtros especificados por nuestra compañía. Los filtros deshidratadores de alta calidad proporcionarán un servicio de alta calidad.
4. Es necesario prestar especial atención cuando se recupera de un sistema “quemado”, siendo necesario emplear dos filtros secos.
5. La unidad cuenta con un dispositivo interno de parada automática ante altas presiones. Si la presión en el interior del sistema supera los 38,5 bar, el compresor detendrá automáticamente la alimentación. Para volver a restaurar el compresor, reduzca la presión interna y presione el botón de alta presión, después encienda el equipo para volver a arrancar el compresor.

Cuando se haya iniciado el sistema de protección contra alta presión, es necesario encontrar la causa y solucionarla antes de volver a encender la unidad. Causas de parada por alta presión y solución de problemas:

- a. La válvula de entrada del tanque de refrigerante está cerrada: abrir la válvula ayudará a solucionar el problema.
 - b. La manguera de conexión entre la unidad de recuperación y el tanque de refrigerante está atascada: cierre todas las válvulas y sustituya la manguera de conexión.
 - c. Si la temperatura del tanque de refrigerante es demasiado alta, la presión será también demasiado alta: deje que pase algún tiempo para que se enfríe y la presión volverá a la normalidad.
6. Es necesario emplear una balanza eléctrica junto con la unidad de recuperación para controlar el proceso de recuperación.
 7. Para obtener la máxima velocidad de recuperación se recomienda una manguera con un diámetro interno superior a los 4mm y una longitud inferior a 1.5m.
 8. Durante la recuperación de grandes cantidades de líquido, emplee el modo Push/Pull.
 9. Asegúrese de que no quede refrigerante en la unidad después de la recuperación. Lea atentamente el procedimiento de purga. Si el refrigerante líquido permanece

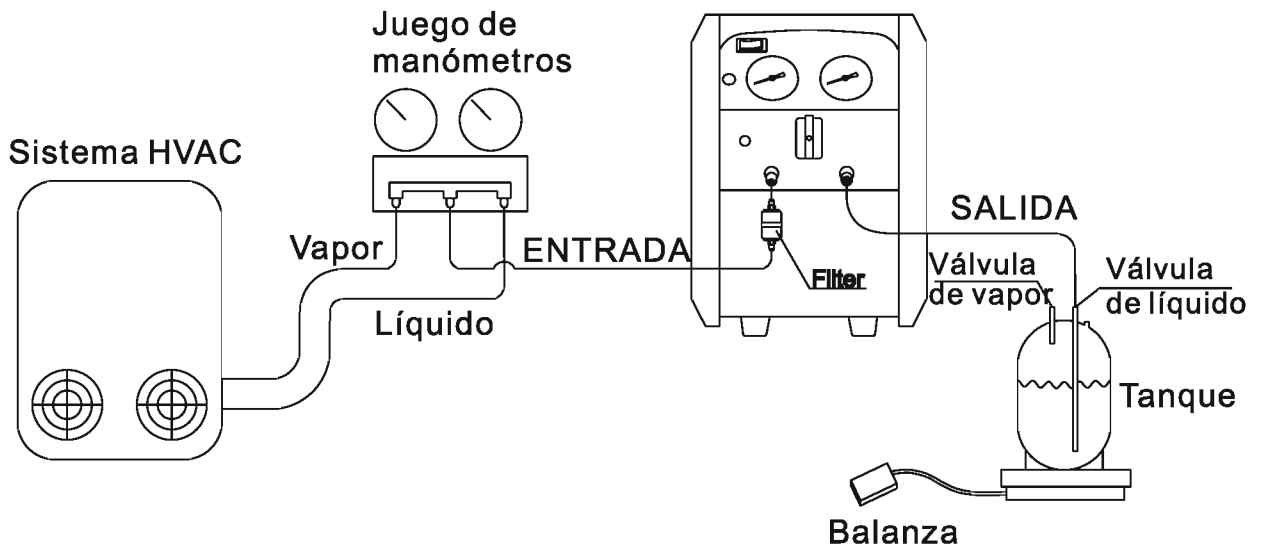
en la unidad puede expandirse y dañar los componentes.

10. Si la unidad va a ser almacenada o no va a utilizarse durante un largo periodo de tiempo, recomendamos extraer por completo cualquier residuo de refrigerante y purgarlo con nitrógeno seco.
11. Aconsejamos emplear mangueras de conexión con válvula de aislamiento para prevenir pérdidas de refrigerante.
12. El puerto de entrada está equipado con un filtro; lávelo con frecuencia para mantenerlo limpio.
13. Si resulta difícil arrancar el equipo, dele dos giros al mando para equilibrar la presión interna y facilitar el arranque del equipo.
14. El manómetro de baja presión muestra la presión del puerto de entrada del compresor y el manómetro de alta presión, la presión del puerto de salida.
15. Después del uso ponga el mando en la posición "0".

8. Método de recuperación

1. Ponga el mando en la posición "1".
2. Conecte los tubos de manera correcta y firme (véase esquema de conexión).
3. Conecte la unidad al sistema correcto de alimentación (como aparece mostrado en la placa del nombre), encienda el equipo para iniciarlo.

4. Abra la válvula del tanque de refrigerante.



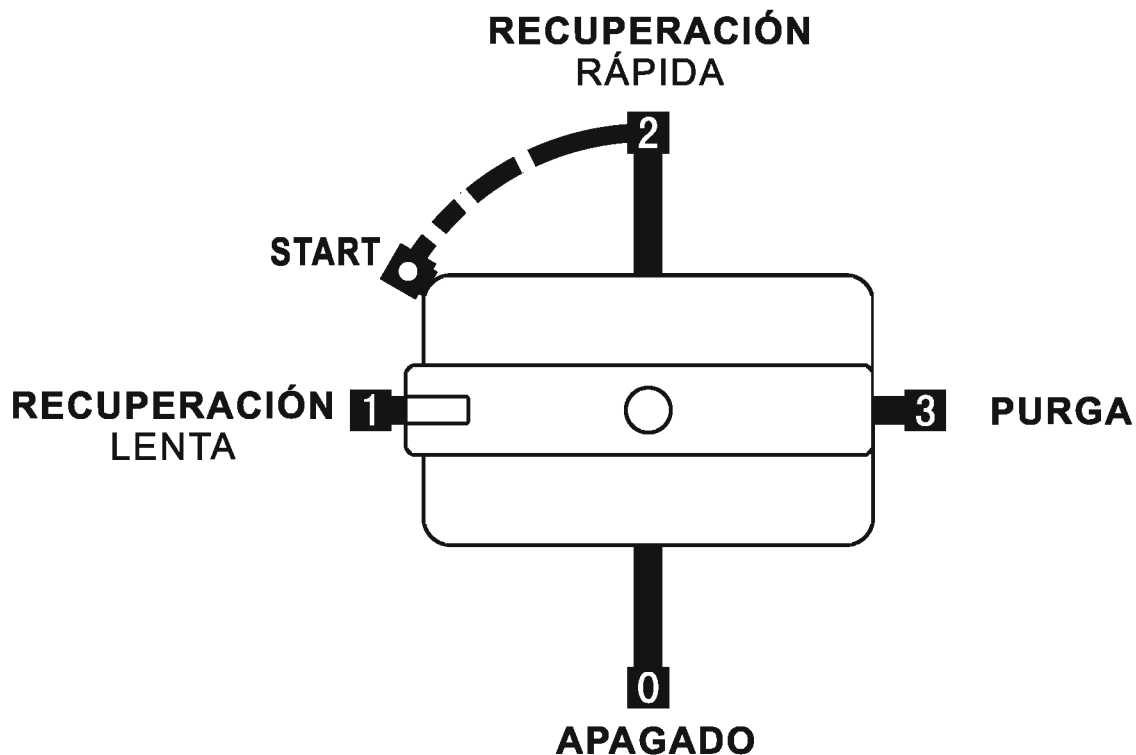
5. Abra la válvula de líquido del juego de manómetros.

6. Gire lentamente el mando hasta la posición "2" para una recuperación más rápida.

Nota:

- a. Por si acaso el compresor golpeta mientras colocado en posición "2", colocar el interruptor paso a paso en posición "START". El indicador de baja presión bajará hasta que el compresor para de golpear. La presión tiene que indicar más que "0", en caso contrario la admisión de refrigerante no tendrá efecto. Si después de la desconexión, el aparato no se enciende, poner el interruptor en posición "START". Acender y pulsar "RESET".

- b. La maquina puesta en "1" es capaz de recuperar refrigerantes en una manera conste, però a velocidad mas lenta. Por si acaso golpeta mientras colocado en posiciòn "1", colocar el iterruptor paso a paso en posiciòn "START". El indicador de baja presion bajará hasta que el golpear para. La presion tiene que indicar más que "0", en caso contrario la admisiòn de refrigerante no tendra efecto.
7. Cuando la recuperaciòn de líquido haya finalizado, gire el mando hasta la posiciòn "2" para una recuperaciòn más rápida.
8. La unidad se detendrá automáticamente cuando la recuperaciòn haya finalizado. Realice ahora la operaciòn de purgado.



9. Método de auto-purga

1. No apague el equipo; ponga el mando en la posición “3” para comenzar la purga.
2. La unidad se detendrá automáticamente cuando la purga haya finalizado.
 - a. Cierre la válvula del tanque de refrigerante.
 - b. Cierre la válvula de aislamiento de las mangueras de conexión.
 - c. Cierre la válvula de líquido y la válvula de gas del juego de manómetros.
 - d. Cierre la válvula de conexión entre el sistema de refrigeración y la válvula múltiple.
 - e. Apague el equipo y desconecte todas las mangueras externas.
 - f. Tape el puerto de entrada y el puerto de salida.

¡ADVERTENCIA!



Después de cada uso es necesario purgar el equipo. Asegúrese de que no quede refrigerante en la unidad. El líquido refrigerante restante puede expandirse y dañar los componentes.

10. Modo Push / Pull de recuperación de líquido

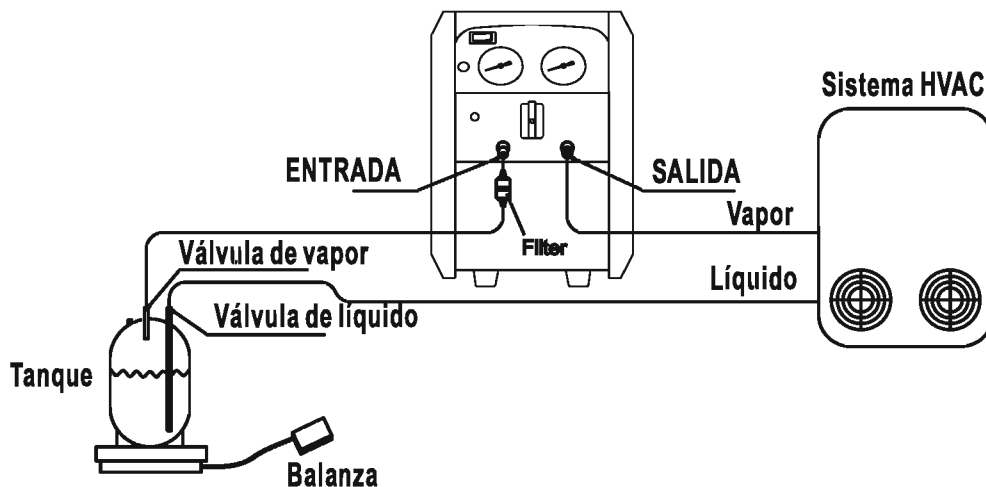
Es recomendable aplicar el método Push/Pull cuando se desea recuperar más de 10 kg de líquido refrigerante.

¡ADVERTENCIA!

Es necesario emplear una balanza eléctrica junto con la unidad de recuperación para controlar el proceso de recuperación. Una vez se haya activado el sifón, el tanque de recuperación puede llegar a sobrellenarse incluso si está equipado con un sensor de nivel con flotador. El sifón puede continuar incluso si la máquina ha sido apagada. Debe cerrar manualmente las válvulas del tanque para prevenir el sobrellenado.



1. Ponga el mando en la posición "1".
2. Conecte las mangueras de forma firme y correcta (véase esquema de conexión).
3. Encienda el equipo para iniciarlo.



4. Abra la válvula de gas y la válvula de líquido del tanque de refrigerante.
5. Ponga el mando en la posición "2" para comenzar el modo de recuperación Push/Pull.
6. Si el visor de la balanza eléctrica no cambia o lo hace con mucha lentitud quiere decir que la recuperación de líquido ha finalizado y que es el momento de la recuperación de gas (es necesario reconectar las mangueras y llevar a cabo la operación de purga para purgar el gas refrigerante).
7. Cierre la válvula de gas del tanque de refrigerante y después apague el equipo.
8. Cierre todas las válvulas y desconecte las mangueras externas. Conecte las mangueras de acuerdo a la operación de recuperación para realizar la recuperación de gas refrigerante.
9. PURGA

¡ADVERTENCIA!



Cuando el visor de la balanza eléctrica muestre que el refrigerante en el tanque ha alcanzado el 80% de su capacidad, apague el equipo y cierre las válvulas del tanque.

11. Preguntas frecuentes y solución de problemas

Error	Causa	Solución
El ventilador no gira	Daño mecánico	<ol style="list-style-type: none"> 1. Sustituya el ventilador 2. Es necesario servicio de asistencia
El compresor no funciona	<ol style="list-style-type: none"> 1. Apagado debido al sistema de protección contra alta presión 2. Error de línea interno de la unidad 	<ol style="list-style-type: none"> 1. Reduzca la presión de la unidad - Presione el botón de alta presión para reiniciar 2. Es necesario servicio de asistencia
El compresor no puede iniciarse (atascado)	<ol style="list-style-type: none"> 1. La presión externa es demasiado alta 2. Fallo del motor o daño en otros componentes 	<ol style="list-style-type: none"> 1. Dele dos vueltas al mando, colóquelo en la posición "1" y reinicie 2. Es necesario servicio de asistencia
El compresor arranca, pero se detiene a los pocos minutos	1. El sistema de protección contra alta presión apaga el equipo debido a errores como: válvula de salida cerrada, válvula de tanque de refrigerante cerrada	1. Lea atentamente el manual y siga sus instrucciones durante el uso

Error	Causa	Solución
El compresor arranca, pero se detiene a los pocos minutos	<ol style="list-style-type: none"> 2. El sistema de protección contra sobrecarga del motor apaga el motor 3. El sistema de protección contra sobrecarga del motor apaga el motor 	<ol style="list-style-type: none"> 2. Déjele al motor algún tiempo antes de reiniciar 3. Enfríe el disyuntor y reinicie pasados 5 minutos
Baja velocidad de recuperación	<ol style="list-style-type: none"> 1. La presión del tanque de refrigerante es demasiado alta 2. El anillo del pistón del compresor está dañado 	<ol style="list-style-type: none"> 1. Enfriar el tanque puede ayudar a reducir la presión 2. Es necesario servicio de asistencia
No se consigue suficiente vacío	<ol style="list-style-type: none"> 1. Las mangueras están sueltas 2. Fugas en la unidad 	<ol style="list-style-type: none"> 1. Apriete las mangueras de conexión 2. Es necesario servicio de asistencia

12. Maintenance

1. El equipo ENVIRO le proporcionará un servicio eficiente y duradero si se mantiene correctamente. Sus necesidades de mantenimiento son mínimas, pero importantes.
2. Mantenga el equipo limpio pasando un paño húmedo para eliminar la suciedad, las manchas de aceite, etc. antes de guardarlo y, si el equipo estuviera especialmente sucio, límpielo utilizando un producto de limpieza estándar o alcohol isopropílico y procure que no entre ningún líquido en el equipo. Evite utilizar gasolina u otros disolventes, ya que son peligrosos y podrían dañar la carcasa de plástico de ENVIRO.
3. Limpie el filtro de absorción de partículas con regularidad y, si la pantalla interna del filtro estuviera muy sucia, sustitúyala por una nueva colocándola tal y como se indica en el dibujo para que sea más eficiente.
4. Cerciórese de que los puertos de entrada y descarga están protegidos y manténgalos limpios cambiando las tapas de plástico después de cada uso. Además, para optimizar los resultados, conecte al puerto de ENTRADA un FILTRO permanente y cámbielo con cierta frecuencia.
5. Cambie periódicamente las MANGUERAS, ya que se pueden producir fugas o acumular partículas contaminantes con el paso del tiempo. Por eso, se recomienda cambiar las mangueras al menos una vez por temporada.

6. Si constata una pérdida de potencia, es probable que necesite cambiar los sellos del compresor. Esto se debe al desgaste por el uso y puede ocurrir una vez cada año o cada dos o, incluso, más a menudo, dependiendo de las condiciones que prevalezcan durante el proceso de recuperación. Póngase en contacto con su distribuidor para que le asesore sobre el kit de mantenimiento más adecuado.

13. Reparación

NO CAMBIE ningún componente, ya que ello podría afectar a la seguridad del equipo. Todos los trabajos de reparación deberán ser efectuados por un servicio técnico oficial de REFCO, a fin de conservar la clase de seguridad del equipo y, en caso dado, su garantía.

14. Reciclaje

Deseche su equipo de recuperación en un punto de reciclaje oficial.

**HVAC/R
Service Products**



REFCO Manufacturing Ltd.

Industriestrasse 11

6285 Hitzkirch

Switzerland

Telefon +41 41 919 72 82

Telefax +41 41 919 72 83

info@refco.ch

www.refco.ch