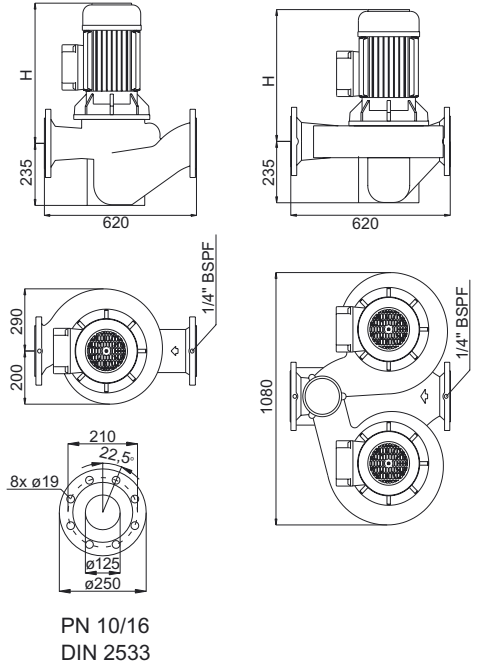


Omega™

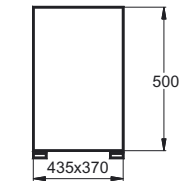
Glanded pumps.
Tørløber pumper.
Trockenläufer Pumpen.

In-line DN 125

Omega 12-230-2 (D)

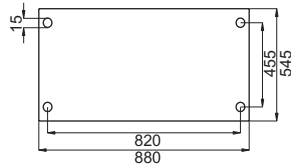


Foot: Single model

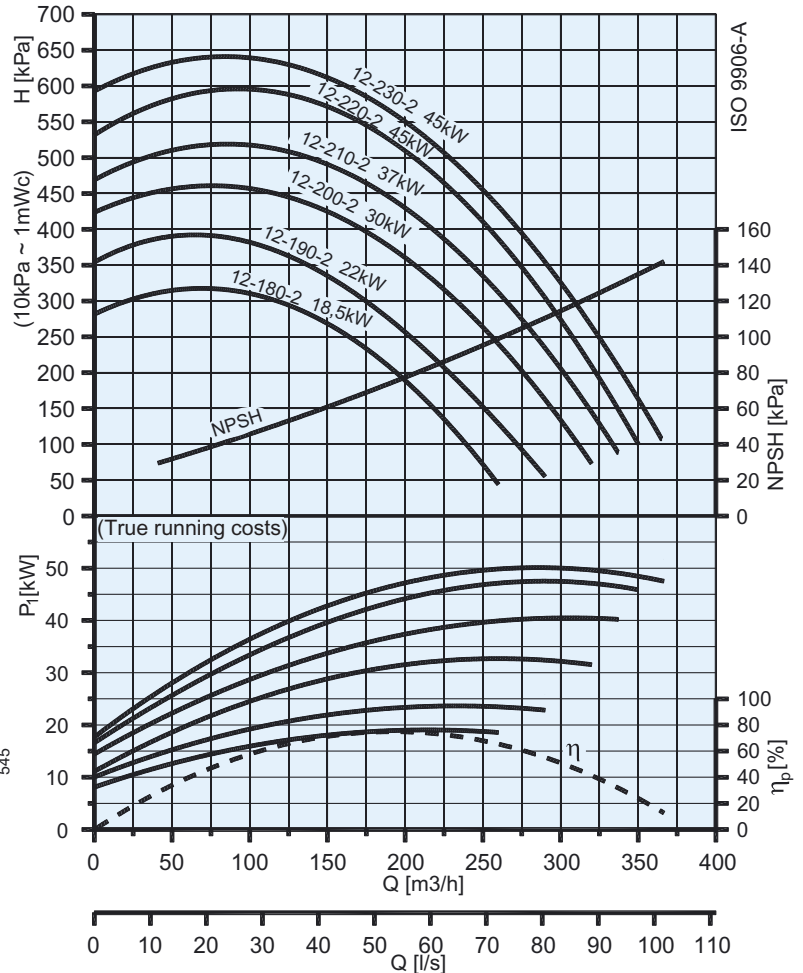


Pedestal 200 kg.
(incl. concrete)

Foot: Twin model



Pedestal 720 kg.
(incl. concrete)



P₁:

True running costs
Optagen effekt
Leistungsaufnahme

$$P_3 = Q \times H = \eta_p \times P_2$$

$$P_2 = \eta_m \times P_1$$

Power(kW)	18,5	22	30	37	45	
H	Single	640	680	770	770	800
	Twin	640	680	770	770	800

Type.	Kg		Motor P ₂ (kW)	I _n (A) (50Hz) — standard			Cos φ	n(min ⁻¹)	dB(A)	η _m (%) — standard.		
	Single	Twin		1x230V	3x400/230V	3x690/400V				eff 1	eff 2	eff 3
Omega 12-180-2 (D)	180	358	18,5	-	40/69	23/40	0,90	2925	74	92,0	-	89,0
Omega 12-190-2 (D)	210	417	22	-	48/83	28/48	0,90	2925	78	92,4	-	89,0
Omega 12-200-2 (D)	300	595	30	-	55/95	32/55	0,91	2955	78	93,5	-	92,0
Omega 12-210-2 (D)	300	595	37	-	65/113	37,5/65	0,91	2955	78	93,3	-	92,0
Omega 12-220-2 (D)	350	695	45	-	80/139	46/80	0,90	2955	78	93,7	-	91,5
Omega 12-230-2 (D)	350	695	45	-	90/156	52/90	0,90	2955	78	93,7	-	91,5

D = Twin pump

IEC 38 +/- 10%, 50 Hz, IP 55

This model is also available as an Omega-Drive - a selfregulating pump with integral inverter and optional differential pressure transducer. Denne model fås også som Omega-Drive - en selvregulerende pumpe med integreret frekvensomformer med eller uden monteret differensstryk-transmitter. Dieses Model ist auch als Omega-Drive lieferbar - eine selbstregulierende Pumpe mit integriertem Umrichter, mit montiertem oder ohne Differenzdruckschalter.

Smedegaard reserve the right to change the product without prior notice and take no responsibility for inaccuracies or misprints.